

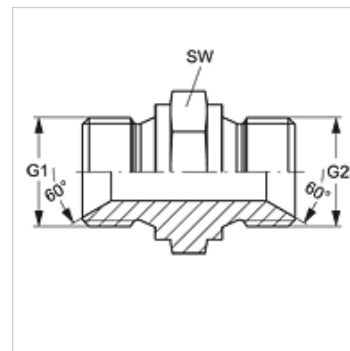
G HB

Свързващ накрайник

HANSA FLEX

Свойства

Съединение 1	външна резба BSP цилиндрична
Форма на уплътнение 1	60° вътрешен конус форма А
Съединение 2	външна резба BSP цилиндрична
Форма на уплътнение 2	60° вътрешен конус форма А
Конструкция	свързващ накрайник
Модификация	права
Материал	стомана
Повърхностно защитно покритие	с галванично покритие



Артикул

Обозначение	G1	G2	SW (mm)
G HB 02	G 1/8" -28	G 1/8" -28	14
G HB 02 HB 04	G 1/8" -28	G 1/4" -19	19
G HB 02 HB 06	G 1/8" -28	G 3/8" -19	22
G HB 02 HB 08	G 1/8" -28	G 1/2" -14	27
G HB 04	G 1/4" -19	G 1/4" -19	19
G HB 04 HB 06	G 1/4" -19	G 3/8" -19	22
G HB 04 HB 08	G 1/4" -19	G 1/2" -14	27
G HB 04 HB 10	G 1/4" -19	G 5/8" -14	30
G HB 04 HB 12	G 1/4" -19	G 3/4" -14	32
G HB 04 HB 16	G 1/4" -19	G 1" -11	41
G HB 04 HB 20	G 1/4" -19	G 1,1/4" -11	50
G HB 06	G 3/8" -19	G 3/8" -19	22
G HB 06 HB 08	G 3/8" -19	G 1/2" -14	27
G HB 06 HB 10	G 3/8" -19	G 5/8" -14	32
G HB 06 HB 12	G 3/8" -19	G 3/4" -14	32
G HB 06 HB 16	G 3/8" -19	G 1" -11	41
G HB 06 HB 20	G 3/8" -19	G 1,1/4" -11	50
G HB 08	G 1/2" -14	G 1/2" -14	27
G HB 08 HB 10	G 1/2" -14	G 5/8" -14	30
G HB 08 HB 12	G 1/2" -14	G 3/4" -14	32
G HB 08 HB 16	G 1/2" -14	G 1" -11	41
G HB 08 HB 20	G 1/2" -14	G 1,1/4" -11	50
G HB 08 HB 24	G 1/2" -14	G 1,1/2" -11	55
G HB 08 HB 32	G 1/2" -14	G 2" -11	70
G HB 10	G 5/8" -14	G 5/8" -14	30
G HB 10 HB 12	G 5/8" -14	G 3/4" -14	32
G HB 10 HB 16	G 5/8" -14	G 1" -11	41
G HB 10 HB 20	G 5/8" -14	G 1,1/4" -11	50
G HB 12	G 3/4" -14	G 3/4" -14	32
G HB 12 HB 16	G 3/4" -14	G 1" -11	41
G HB 12 HB 20	G 3/4" -14	G 1,1/4" -11	50
G HB 12 HB 24	G 3/4" -14	G 1,1/2" -11	55
G HB 12 HB 32	G 3/4" -14	G 2" -11	70
G HB 16	G 1" -11	G 1" -11	41
G HB 16 HB 20	G 1" -11	G 1,1/4" -11	50
G HB 16 HB 24	G 1" -11	G 1,1/2" -11	55
G HB 16 HB 32	G 1" -11	G 2" -11	70
G HB 20	G 1,1/4" -11	G 1,1/4" -11	50
G HB 20 HB 24	G 1,1/4" -11	G 1,1/2" -11	55
G HB 20 HB 32	G 1,1/4" -11	G 2" -11	70
G HB 24	G 1,1/2" -11	G 1,1/2" -11	55
G HB 24 HB 32	G 1,1/2" -11	G 2" -11	70
G HB 32	G 2" -11	G 2" -11	70
G HB 40 HB 48	G 2,1/2" -11	G 3" -11	100
G HB 48	G 3" -11	G 3" -11	110

SW = ширина на ключа

Варианти на продукта

G HB VA Свързващ накрайник, благородна стомана