

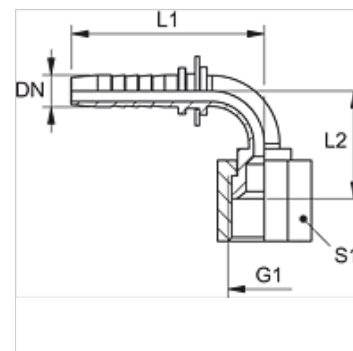
PN AJ 90

Притискащ нипел, DKJ W90°

HANSA FLEX

Свойства

Диапазон на използване	притискащ нипел за маркучи HD 100 до HD 400, KP, TE
Съединение 1	гаечна резба UN/UNF
Форма на уплътнение 1	74° вътрешен конус
съкращение	DKJ
Стандарт	ISO 8434-2
Материал	стомана
Повърхностно защитно покритие	с галванично покритие



Указание

Моля изберете подходящия пръстен според типа на маркуча.

Артикул

Обозначение	DN	Мярка	Цол	Работно налягане (bar)	G1	L1 (mm)	L2 (mm)	S1
PN 04 AJ 06 90	5	3	3/16"	410,0	7/16" -20 UNF	47,5	26,0	14
PN 06 AJ 90	6	4	1/4"	410,0	7/16" -20 UNF	57,0	26,0	14
PN 06 AJ 08 90	6	4	1/4"	410,0	1/2" -20 UNF	57,0	27,0	17
PN 06 AJ 10 90	6	4	1/4"	350,0	9/16" -18 UNF	57,0	28,0	19
PN 08 AJ 90	8	5	5/16"	410,0	1/2" -20 UNF	56,5	33,0	17
PN 08 AJ 10 90	8	5	5/16"	350,0	9/16" -18 UNF	57,5	30,5	19
PN 10 AJ 08 90	10	6	3/8"	350,0	1/2" -20 UNF	66,5	37,5	17
PN 10 AJ 90	10	6	3/8"	350,0	9/16" -18 UNF	63,0	35,0	19
PN 10 AJ 13 90	10	6	3/8"	345,0	3/4" -16 UNF	63,0	37,0	24
PN 10 AJ 16 90	10	6	3/8"	345,0	7/8" -14 UNF	63,0	38,0	27
PN 13 AJ 90	12	8	1/2"	345,0	3/4" -16 UNF	71,5	42,5	24
PN 13 AJ 16 90	12	8	1/2"	345,0	7/8" -14 UNF	71,5	43,5	27
PN 13 AJ 20 90	12	8	1/2"	345,0	1,1/16" -12 UN	71,5	45,0	32
PN 16 AJ 90	16	10	5/8"	345,0	7/8" -14 UNF	87,0	54,0	27
PN 16 AJ 20 90	16	10	5/8"	345,0	1,1/16" -12 UN	87,0	54,5	32
PN 16 AJ 20 90 L 105	16	10	5/8"	345,0	1,1/16" -12 UN	87,0	105,0	32
PN 20 AJ 90	19	12	3/4"	345,0	1,1/16" -12 UN	99,0	57,5	32
PN 20 AJ 90 L 100	19	12	3/4"	345,0	1,1/16" -12 UN	99,0	100,0	32
PN 20 AJ 14 90	19	12	3/4"	345,0	1,3/16" -12 UN	108,5	69,5	36
PN 20 AJ 25 90	19	12	3/4"	275,0	1,5/16" -12 UN	99,0	58,5	41
PN 25 AJ 14 90	25	16	1"	275,0	1,3/16" -12 UN	108,5	69,5	36
PN 25 AJ 90	25	16	1"	275,0	1,5/16" -12 UN	126,0	70,5	41
PN 25 AJ 32 90	25	16	1"	200,0	1,5/8" -12 UN	126,0	72,5	50
PN 32 AJ 90	31	16	1.1/4"	200,0	1,5/8" -12 UN	150,5	86,0	50
PN 32 AJ 40 90	31	20	1.1/4"	170,0	1,7/8" -12 UN	150,5	87,0	60
PN 40 AJ 90	38	24	1.1/2"	170,0	1,7/8" -12 UN	175,5	100,5	60
PN 50 AJ 90	51	32	2"	170,0	2,1/2" -12 UN	216,5	135,0	75

Варианти на продукта

PN AJ 90 VA Притискащ нипел, DKJ W90°, благородна стомана