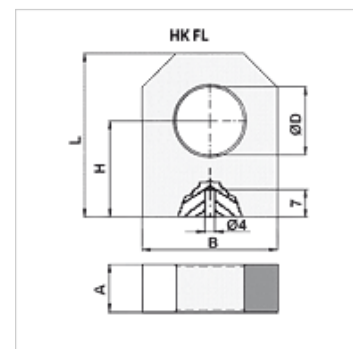


HK FL

накланящ се лагер FL

Свойства

Материал стомана S355J0 (Fe510C)



Артикул

Обозначение	A (mm)	B (mm)	H (mm)	L (mm)	Ø D (mm)	Тегло (kg)
HK FL 16	15,0	35,0	34,0	50,0	16,20	0,19
HK FL 20	20,0	40,0	40,0	60,0	20,25	0,38
HK FL 25	25,0	50,0	45,0	65,0	25,25	0,58
HK FL 30	30,0	60,0	50,0	75,0	30,25	0,79
HK FL 35	35,0	70,0	55,0	85,0	35,25	0,98
HK FL 40	40,0	80,0	60,0	100,0	40,25	1,22