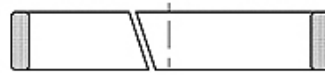
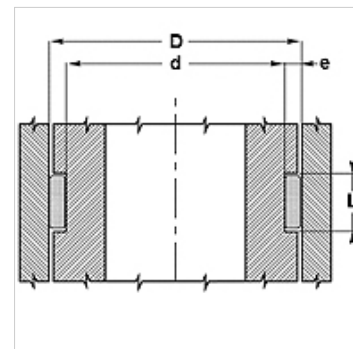


Свойства	
Конструкция	водец пръстен
Скорост при плъзгане max.	1,0 m/s
Устойчивост на налягане по DIN 53454 (N/mm <sup>2</sup> )	340 N/mm <sup>2</sup>
Притискане на повърхностите	50 N/mm <sup>2</sup>
Температура min.	-40 °C
Температура max.	130 °C
Течности	минерални масла водни емулсии
Монтаж	поставете в жлеба
Материал	ламинат от фенопласт и ситнетични влакна с PTFE
Приложение	хидравлика



Toleranz / Tolerance		
D	d	L
H9	f8	+0,20 0



### Указание

изчисление на напречното усилие;  $F = p \times D \times L \times n$

F= максимално напречно усилие (N)

p= максимално притискане на повърхностите (N/mm<sup>2</sup>)

D x L= проектирана площ (мм<sup>2</sup>)

n= брой пръстени

### Описание

лесна обработка с монтажен жлеб и монтаж

висока товароносимост

нисък коефициент на триене (PTFE)

без приемане на вода.

дълъг срок на годност

### Артикул

Обозначение	D (mm)	d (mm)	L (mm)	Жлеб съгласно
EGTP1 250 560 250 A	25	20	5,6	ISO 10766
EGTP1 250 630 250 A	25	20	6,3	-
EGTP1 250 560 300 A	30	25	5,6	-
EGTP1 250 630 300 A	30	25	6,3	-
EGTP1 250 970 300 A	30	25	9,7	-
EGTP1 250 630 320 A	32	27	6,3	-
EGTP1 250 970 320 A	32	27	9,7	-
EGTP1 250 560 350 A	35	30	5,6	-
EGTP1 250 970 350 A	35	30	9,7	-
EGTP1 251 500 350 A	35	30	15,0	-
EGTP1 250 560 400 A	40	35	5,6	ISO 10766
EGTP1 250 630 400 A	40	35	6,3	-
EGTP1 250 970 400 A	40	35	9,7	-
EGTP1 251 500 400 A	40	35	15,0	-
EGTP1 250 560 450 A	45	40	5,6	-
EGTP1 250 630 450 A	45	40	6,3	-
EGTP1 250 970 450 A	45	40	9,7	-
EGTP1 251 500 450 A	45	40	15,0	-
EGTP1 250 560 500 A	50	45	5,6	ISO 10766
EGTP1 250 970 500 A	50	45	9,7	-
EGTP1 251 500 500 A	50	45	15,0	-
EGTP1 252 000 450 A	45	40	20,0	-
EGTP1 252 000 500 A	50	45	20,0	-
EGTP1 252 500 500 A	50	45	25,0	-
EGTP1 250 560 550 A	55	50	5,6	-
EGTP1 250 970 550 A	55	50	9,7	-
EGTP1 251 500 550 A	55	50	15,0	-
EGTP1 252 000 550 A	55	50	20,0	-
EGTP1 250 560 600 A	60	55	5,6	-
EGTP1 250 970 600 A	60	55	9,7	-
EGTP1 251 500 600 A	60	55	15,0	-



## Артикул

Обозначение	D (mm)	d (mm)	L (mm)	Жлеб съгласно
EGTP1 252 000 600 A	60	55	20,0	-
EGTP1 250 560 630 A	63	58	5,6	-
EGTP1 250 970 630 A	63	58	9,7	ISO 10766
EGTP1 251 500 630 A	63	58	15,0	-
EGTP1 252 000 630 A	63	58	20,0	-
EGTP1 250 560 650 A	65	60	5,6	-
EGTP1 250 970 650 A	65	60	9,7	-
EGTP1 251 500 650 A	65	60	15,0	-
EGTP1 252 000 650 A	65	60	20,0	-
EGTP1 250 560 700 A	70	65	5,6	-
EGTP1 250 970 700 A	70	65	9,7	-
EGTP1 251 500 700 A	70	65	15,0	-
EGTP1 252 000 700 A	70	65	20,0	-
EGTP1 250 560 750 A	75	70	5,6	-
EGTP1 250 970 750 A	75	70	9,7	-
EGTP1 251 500 750 A	75	70	15,0	-
EGTP1 252 000 750 A	75	70	20,0	-
EGTP1 252 500 750 A	75	70	25,0	-
EGTP1 250 560 800 A	80	75	5,6	ISO 10766
EGTP1 250 630 800 A	80	75	6,3	-
EGTP1 250 970 800 A	80	75	9,7	ISO 10766
EGTP1 251 500 800 A	80	75	15,0	-
EGTP1 252 000 800 A	80	75	20,0	-
EGTP1 252 500 800 A	80	75	25,0	-
EGTP1 250 560 850 A	85	80	5,6	-
EGTP1 250 970 850 A	85	80	9,7	-
EGTP1 251 500 850 A	85	80	15,0	-
EGTP1 252 000 850 A	85	80	20,0	-
EGTP1 252 500 850 A	85	80	25,0	-
EGTP1 250 560 900 A	90	85	5,6	-
EGTP1 250 970 900 A	90	85	9,7	-
EGTP1 251 500 900 A	90	85	15,0	-
EGTP1 252 000 900 A	90	85	20,0	-
EGTP1 252 500 900 A	90	85	25,0	-
EGTP1 250 970 950 A	95	90	9,7	-
EGTP1 251 500 950 A	95	90	15,0	-
EGTP1 252 000 950 A	95	90	20,0	-
EGTP1 252 500 950 A	95	90	25,0	-
EGTP1 250 561 000 A	100	95	5,6	ISO 10766
EGTP1 250 971 000 A	100	95	9,7	ISO 10766
EGTP1 251 501 000 A	100	95	15,0	-
EGTP1 252 001 000 A	100	95	20,0	-
EGTP1 252 501 000 A	100	95	25,0	-
EGTP1 250 971 050 A	105	100	9,7	-
EGTP1 251 501 050 A	105	100	15,0	-
EGTP1 252 001 050 A	105	100	20,0	-
EGTP1 252 501 050 A	105	100	25,0	-
EGTP1 250 971 100 A	110	105	9,7	-
EGTP1 251 501 100 A	110	105	15,0	-
EGTP1 252 001 100 A	110	105	20,0	-
EGTP1 252 501 100 A	110	105	25,0	-
EGTP1 250 971 150 A	115	110	9,7	-
EGTP1 251 501 150 A	115	110	15,0	-
EGTP1 252 001 150 A	115	110	20,0	-
EGTP1 252 501 150 A	115	110	25,0	-
EGTP1 250 971 200 A	120	115	9,7	-
EGTP1 251 501 200 A	120	115	15,0	-
EGTP1 252 501 200 A	120	115	25,0	-
EGTP1 250 971 250 A	125	120	9,7	ISO 10766
EGTP1 251 501 250 A	125	120	15,0	-
EGTP1 252 001 250 A	125	120	20,0	-
EGTP1 252 501 250 A	125	120	25,0	-
EGTP1 250 971 300 A	130	125	9,7	-



## Артикул

Обозначение	D (mm)	d (mm)	L (mm)	Жлеб съгласно
EGTP1 251 501 300 A	130	125	15,0	-
EGTP1 252 001 300 A	130	125	20,0	-
EGTP1 252 501 300 A	130	125	25,0	-
EGTP1 250 971 350 A	135	130	9,7	-
EGTP1 251 501 350 A	135	130	15,0	-
EGTP1 250 971 400 A	140	135	9,7	ISO 10766
EGTP1 251 501 400 A	140	135	15,0	ISO 10766
EGTP1 252 001 400 A	140	135	20,0	-
EGTP1 252 501 400 A	140	135	25,0	-
EGTP1 251 501 450 A	145	140	15,0	-
EGTP1 252 001 450 A	145	140	20,0	-
EGTP1 252 501 450 A	145	140	25,0	-
EGTP1 250 971 500 A	150	145	9,7	-
EGTP1 251 501 500 A	150	145	15,0	-
EGTP1 252 001 500 A	150	145	20,0	-
EGTP1 252 501 500 A	150	145	25,0	-
EGTP1 250 971 600 A	160	155	9,7	ISO 10766
EGTP1 251 501 600 A	160	155	15,0	ISO 10766
EGTP1 252 001 600 A	160	155	20,0	-
EGTP1 252 501 600 A	160	155	25,0	-
EGTP1 252 501 650 A	165	160	25,0	-
EGTP1 250 971 700 A	170	165	9,7	-
EGTP1 251 501 700 A	170	165	15,0	-
EGTP1 252 501 700 A	170	165	25,0	-
EGTP1 250 971 800 A	180	175	9,7	ISO 10766
EGTP1 251 501 800 A	180	175	15,0	ISO 10766
EGTP1 252 501 800 A	180	175	25,0	-
EGTP1 251 501 850 A	185	180	15,0	-
EGTP1 250 971 900 A	190	185	9,7	-
EGTP1 250 972 000 A	200	195	9,7	ISO 10766
EGTP1 251 502 000 A	200	195	15,0	-
EGTP1 252 002 000 A	200	195	20,0	-
EGTP1 252 502 000 A	200	195	25,0	-
EGTP1 252 502 050 A	205	200	25,0	-
EGTP1 251 502 200 A	220	215	15,0	ISO 10766
EGTP1 252 502 250 A	225	220	25,0	-
EGTP1 252 502 300 A	230	225	25,0	-
EGTP1 252 502 400 A	240	235	25,0	-
EGTP1 251 502 450 A	245	240	15,0	-
EGTP1 251 502 500 A	250	245	15,0	ISO 10766
EGTP1 252 502 500 A	250	245	25,0	-
EGTP1 252 503 000 A	300	294	25,0	-
EGTP1 252 503 600 A	360	355	25,0	-