

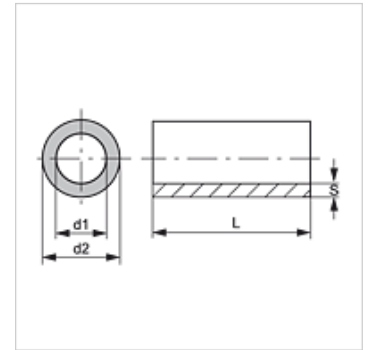
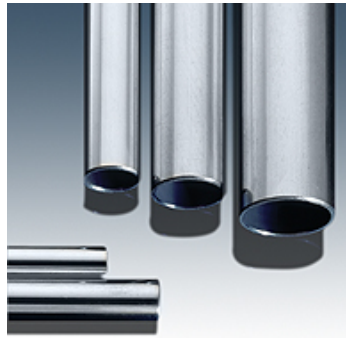
PR V1 (M)

Прецизионна стоманена тръба, метрична, 1.4301

HANSA FLEX

Свойства

| | |
|--------------------|---------------------------------------|
| Конструкция | прецизионна стоманена тръба, метрична |
| Материал | благородна стомана 1.4301 |
| Дължина на тръбата | 6 метра |



Артикул

| Обозначение | Ø d2 (mm) | Толеранс AD +/- (mm) | Ø d1 (mm) | S (mm) | Толеранс ID +/- (mm) | Случай на натоварване I (bar) | Случай на натоварване III (bar) |
|--------------|-----------|----------------------|-----------|--------|----------------------|-------------------------------|---------------------------------|
| PR 12-2.5 V1 | 12,0 | - | 7,0 | 2,50 | - | - | - |
| PR 14-2.5 V1 | 14,0 | - | 9,0 | 2,50 | - | - | - |
| PR 18-3 V1 | 18,0 | - | 12,0 | 3,00 | - | - | - |
| PR 04-1 V1 | 4,0 | 0,08 | 2,0 | 1,00 | 0,15 | 558 | 376 |
| PR 05-1 V1 | 5,0 | 0,08 | 3,0 | 1,00 | 0,15 | 447 | 311 |
| PR 06-1 V1 | 6,0 | 0,08 | 4,0 | 1,00 | 0,15 | 372 | 265 |
| PR 06-1.5 V1 | 6,0 | 0,08 | 3,0 | 1,50 | 0,15 | 610 | 405 |
| PR 08-1 V1 | 8,0 | 0,08 | 6,0 | 1,00 | 0,15 | 279 | 204 |
| PR 08-1.5 V1 | 8,0 | 0,08 | 5,0 | 1,50 | 0,15 | 460 | 319 |
| PR 10-1 V1 | 10,0 | 0,08 | 8,0 | 1,00 | 0,15 | 223 | 166 |
| PR 10-1.5 V1 | 10,0 | 0,08 | 7,0 | 1,50 | 0,15 | 369 | 262 |
| PR 12-1 V1 | 12,0 | 0,08 | 10,0 | 1,00 | 0,15 | 186 | 140 |
| PR 12-1.5 V1 | 12,0 | 0,08 | 9,0 | 1,50 | 0,15 | 307 | 223 |
| PR 12-2 V1 | 12,0 | 0,08 | 8,0 | 2,00 | 0,15 | 428 | 299 |
| PR 12-3 V1 | 12,0 | 0,08 | 6,0 | 3,00 | 0,15 | 670 | 436 |
| PR 14-2 V1 | 14,0 | 0,08 | 10,0 | 2,00 | 0,15 | 367 | 261 |
| PR 14-3 V1 | 14,0 | 0,08 | 8,0 | 3,00 | 0,15 | 575 | 395 |
| PR 15-1.5 V1 | 15,0 | 0,08 | 12,0 | 1,50 | 0,15 | 246 | 182 |
| PR 16-1 V1 | 16,0 | 0,08 | 14,0 | 1,00 | 0,08 | 152 | 115 |
| PR 16-2 V1 | 16,0 | 0,08 | 12,0 | 2,00 | 0,15 | 321 | 232 |
| PR 18-1 V1 | 18,0 | 0,08 | 16,0 | 1,00 | 0,08 | 135 | 104 |
| PR 18-1.5 V1 | 18,0 | 0,08 | 15,0 | 1,50 | 0,08 | 216 | 161 |
| PR 18-2 V1 | 18,0 | 0,08 | 14,0 | 2,00 | 0,08 | 297 | 216 |
| PR 22-1 V1 | 22,0 | 0,08 | 20,0 | 1,00 | 0,08 | 110 | 85 |
| PR 20-2 V1 | 20,0 | 0,08 | 16,0 | 2,00 | 0,15 | 257 | 189 |
| PR 22-1.5 V1 | 22,0 | 0,08 | 19,0 | 1,50 | 0,08 | 176 | 133 |
| PR 22-2 V1 | 22,0 | 0,08 | 18,0 | 2,00 | 0,15 | 233 | 173 |
| PR 24-2 V1 | 24,0 | 0,08 | 20,0 | 2,00 | 0,15 | 214 | 160 |
| PR 25-5 V1 | 25,0 | 0,08 | 15,0 | 5,00 | 0,15 | 554 | 373 |
| PR 28-1 V1 | 28,0 | 0,08 | 26,0 | 1,00 | 0,08 | 87 | 67 |
| PR 28-2 V1 | 28,0 | 0,08 | 24,0 | 2,00 | 0,08 | 191 | 143 |
| PR 28-3 V1 | 28,0 | 0,08 | 22,0 | 3,00 | 0,15 | 287 | 210 |
| PR 28-4 V1 | 28,0 | 0,15 | 20,0 | 4,00 | 0,15 | 384 | 272 |
| PR 30-2 V1 | 30,0 | 0,08 | 26,0 | 2,00 | 0,08 | 178 | 134 |
| PR 30-3 V1 | 30,0 | 0,08 | 24,0 | 3,00 | 0,08 | 275 | 201 |
| PR 30-4 V1 | 30,0 | 0,15 | 22,0 | 4,00 | 0,15 | 358 | 256 |
| PR 30-5 V1 | 30,0 | 0,15 | 20,0 | 5,00 | 0,20 | 450 | 313 |
| PR 38-4 V1 | 38,0 | - | 30,0 | 4,00 | - | - | - |
| PR 40-4 V1 | 40,0 | 0,15 | 32,0 | 4,00 | 0,20 | 265 | 195 |
| PR 40-5 V1 | 40,0 | 0,15 | 30,0 | 5,00 | 0,20 | 337 | 243 |
| PR 50-1.5 V1 | 50,0 | 0,20 | 47,0 | 1,50 | 0,20 | 63 | 50 |
| PR 50-2 V1 | 50,0 | 0,20 | 46,0 | 2,00 | 0,20 | 93 | 72 |
| PR 57-2 V1 | 57,0 | 0,25 | 53,0 | 2,00 | 0,25 | 76 | 59 |
| PR 64-2 V1 | 64,0 | 0,25 | 60,0 | 2,00 | 0,25 | 68 | 53 |
| PR 70-2 V1 | 70,0 | 0,25 | 66,0 | 2,00 | 0,25 | 62 | 48 |