

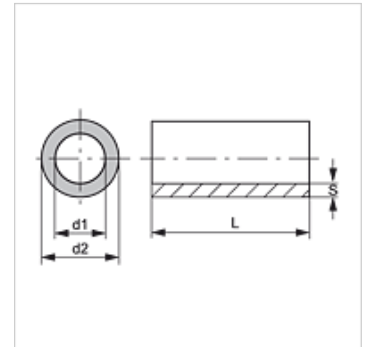
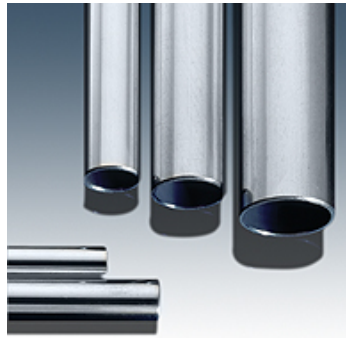
PR V4 (M)

Прецизионна стоманена тръба, метрична, 1.4571

HANSA FLEX

Свойства

| | |
|--------------------|---------------------------------------|
| Конструкция | прецизионна стоманена тръба, метрична |
| Материал | благородна стомана 1.4571 |
| Дължина на тръбата | 6 метра |



Указание

Посочените данни за налягане се отнасят за прави тръби.

При извити тръби трябва аналогично на DIN EN 13480-4 да се изчислят съответните дебелини на стените.

Допълнителна информация

Изчисление аналогично на DIN 2413 (проект)

Случай на натоварване I : Статично (до 100 °C)

Случай на натоварване III : Динамично (до 200 °C) ширина на вибриране = P bar

Коефициент на якост: K 234 [N/мм²]

Коефициент на безопасност: S 1,5

Граница на якост при постоянно пулсиращо натоварване: $\sigma_{Sch/D}$ 190 [N/мм²]

Допуски: DIN 10305-4Граница на провлачване по DIN 10216-5 Rp 1,0 до 50°C

Артикул

| Обозначение | Ø d2 (mm) | Толеранс AD +/- (mm) | Ø d1 (mm) | S (mm) | Толеранс ID +/- (mm) | Случай на натоварване I (bar) | Случай на натоварване III (bar) |
|--------------|-----------|----------------------|-----------|--------|----------------------|-------------------------------|---------------------------------|
| PR 34-2 V4 | 34,0 | - | 30,0 | 2,00 | - | - | - |
| PR 14-1 V4 | 14,0 | - | 12,0 | 1,00 | - | - | - |
| PR 04-0.5 V4 | 4,0 | - | 3,0 | 0,50 | - | - | - |
| PR 04-1 V4 | 4,0 | 0,08 | 2,0 | 1,00 | 0,15 | 600 | 408 |
| PR 05-0.5 V4 | 5,0 | - | 4,0 | 0,50 | - | - | - |
| PR 05-1 V4 | 5,0 | - | 3,0 | 1,00 | - | - | - |
| PR 06-0.5 V4 | 6,0 | 0,08 | 5,0 | 0,50 | 0,15 | - | - |
| PR 06-1 V4 | 6,0 | 0,08 | 4,0 | 1,00 | 0,15 | 400 | 287 |
| PR 06-1.5 V4 | 6,0 | 0,08 | 3,0 | 1,50 | 0,15 | 660 | 442 |
| PR 06-2 V4 | 6,0 | 0,08 | 2,0 | 2,00 | 0,15 | 915 | 575 |
| PR 08-1 V4 | 8,0 | 0,08 | 6,0 | 1,00 | 0,15 | 300 | 222 |
| PR 08-1.5 V4 | 8,0 | 0,08 | 5,0 | 1,50 | 0,15 | 495 | 347 |
| PR 08-2 V4 | 8,0 | 0,08 | 4,0 | 2,00 | 0,15 | 690 | 458 |
| PR 08-2.5 V4 | 8,0 | - | 3,0 | 2,50 | - | - | - |
| PR 10-0.5 V4 | 10,0 | 0,08 | 9,0 | 0,50 | 0,08 | 105 | 81 |
| PR 10-1 V4 | 10,0 | 0,08 | 8,0 | 1,00 | 0,15 | 240 | 181 |
| PR 10-1.2 V4 | 10,0 | - | 7,6 | 1,20 | - | - | - |
| PR 10-1.5 V4 | 10,0 | 0,08 | 7,0 | 1,50 | 0,15 | 396 | 285 |
| PR 10-2 V4 | 10,0 | 0,08 | 6,0 | 2,00 | 0,15 | 552 | 380 |
| PR 10-2.5 V4 | 10,0 | - | 5,0 | 2,50 | - | - | - |
| PR 12-1 V4 | 12,0 | 0,08 | 10,0 | 1,00 | 0,15 | 200 | 152 |
| PR 12-1.5 V4 | 12,0 | 0,08 | 9,0 | 1,50 | 0,15 | 330 | 242 |
| PR 12-2 V4 | 12,0 | 0,08 | 8,0 | 2,00 | 0,15 | 460 | 325 |
| PR 12-3 V4 | 12,0 | 0,08 | 6,0 | 3,00 | 0,25 | 694 | 461 |
| PR 13-1 V4 | 13,0 | - | 11,0 | 1,00 | - | - | - |
| PR 14-1.5 V4 | 14,0 | 0,08 | 11,0 | 1,50 | 0,15 | 283 | 210 |
| PR 14-2 V4 | 14,0 | 0,08 | 10,0 | 2,00 | 0,15 | 394 | 284 |
| PR 14-2.5 V4 | 14,0 | 0,08 | 9,0 | 2,50 | 0,15 | 505 | 353 |
| PR 14-3 V4 | 14,0 | - | 8,0 | 3,00 | - | - | - |
| PR 15-1 V4 | 15,0 | 0,08 | 13,0 | 1,00 | 0,08 | 174 | 134 |
| PR 15-1.5 V4 | 15,0 | 0,08 | 12,0 | 1,50 | 0,15 | 264 | 197 |
| PR 15-2 V4 | 15,0 | 0,08 | 11,0 | 2,00 | 0,15 | 368 | 267 |
| PR 16-1 V 4 | 16,0 | - | 14,0 | 1,00 | - | - | - |
| PR 16-1.5 V4 | 16,0 | 0,08 | 13,0 | 1,50 | 0,08 | 261 | 195 |



Въпреки най-старателната проверка не са изключени грешки и ние не поемаме гаранция за съдържащите се данни.

29.04.2026

HANSA-FLEX AG

www.hansa-flex.com

1

PR V4 (M)

Прецизионна стоманена тръба, метрична, 1.4571

HANSA FLEX

Артикул

| Обозначение | Ø d2 (mm) | Толеранс AD +/- (mm) | Ø d1 (mm) | S (mm) | Толеранс ID +/- (mm) | Случай на натоварване I (bar) | Случай на натоварване III (bar) |
|---------------|-----------|----------------------|-----------|--------|----------------------|-------------------------------|---------------------------------|
| PR 16-2 V4 | 16,0 | 0,08 | 12,0 | 2,00 | 0,15 | 345 | 252 |
| PR 16-2.5 V4 | 16,0 | 0,08 | 11,0 | 2,50 | 0,15 | 442 | 314 |
| PR 16-3 V4 | 16,0 | 0,08 | 10,0 | 3,00 | 0,15 | 540 | 373 |
| PR 16-4 V4 | 16,0 | - | 8,0 | 4,00 | - | - | - |
| PR 18-1 V4 | 18,0 | 0,08 | 16,0 | 1,00 | 0,08 | 145 | 112 |
| PR 18-1.5 V4 | 18,0 | 0,08 | 15,0 | 1,50 | 0,08 | 232 | 175 |
| PR 18-2 V4 | 18,0 | 0,08 | 14,0 | 2,00 | 0,08 | 318 | 234 |
| PR 18-2.5 V4 | 18,0 | 0,08 | 13,0 | 2,50 | 0,15 | 393 | 283 |
| PR 18-3 V4 | 18,0 | - | 12,0 | 3,00 | - | - | - |
| PR 18-4 V4 | 18,0 | - | 10,0 | 4,00 | - | - | - |
| PR 20-1 V 4 | 20,0 | 0,08 | 18,0 | 1,00 | - | - | - |
| PR 20-1.5 V 4 | 20,0 | 0,08 | 17,0 | 1,50 | - | - | - |
| PR 20-2 V4 | 20,0 | 0,08 | 16,0 | 2,00 | 0,08 | 287 | 213 |
| PR 20-2.5 V4 | 20,0 | 0,08 | 15,0 | 2,50 | 0,15 | 354 | 258 |
| PR 20-3 V4 | 20,0 | 0,08 | 14,0 | 3,00 | 0,15 | 432 | 308 |
| PR 20-3.5 V4 | 20,0 | 0,08 | 13,0 | 3,50 | 0,15 | 510 | 355 |
| PR 20-4 V4 | 20,0 | - | 12,0 | 4,00 | - | - | - |
| PR 22-1 V 4 | 22,0 | 0,08 | 20,0 | 1,00 | - | - | - |
| PR 22-1.5 V4 | 22,0 | 0,08 | 19,0 | 1,50 | 0,08 | 190 | 145 |
| PR 22-2 V4 | 22,0 | 0,08 | 18,0 | 2,00 | 0,08 | 260 | 195 |
| PR 22-2.5 V4 | 22,0 | 0,08 | 17,0 | 2,50 | 0,15 | 321 | 236 |
| PR 22-3 V4 | 22,0 | 0,08 | 16,0 | 3,00 | 0,15 | 392 | 283 |
| PR 22-4 V4 | 22,0 | - | 14,0 | 4,00 | - | - | - |
| PR 22-6 V4 | 22,0 | - | 10,0 | 6,00 | - | - | - |
| PR 23-1.5 V4 | 23,0 | - | 20,0 | 1,50 | - | - | - |
| PR 24-4 V4 | 24,0 | - | 16,0 | 4,00 | - | - | - |
| PR 25-1.5 V4 | 25,0 | 0,08 | 22,0 | 1,50 | 0,08 | 167 | 128 |
| PR 25-2 V4 | 25,0 | 0,08 | 21,0 | 2,00 | 0,08 | 229 | 173 |
| PR 25-2.5 V4 | 25,0 | 0,08 | 20,0 | 2,50 | 0,08 | 292 | 216 |
| PR 25-3 V4 | 25,0 | 0,08 | 19,0 | 3,00 | 0,15 | 345 | 252 |
| PR 25-4 V4 | 25,0 | - | 17,0 | 4,00 | - | - | - |
| PR 25-5 V4 | 25,0 | - | 15,0 | 5,00 | - | - | - |
| PR 25-6 V4 | 25,0 | - | 13,0 | 6,00 | - | - | - |
| PR 28-1 V4 | 28,0 | - | 26,0 | 1,00 | - | - | - |
| PR 28-1.5 V4 | 28,0 | 0,08 | 25,0 | 1,50 | 0,08 | 149 | 115 |
| PR 28-2 V4 | 28,0 | 0,08 | 24,0 | 2,00 | 0,08 | 205 | 156 |
| PR 28-2.5 V4 | 28,0 | 0,08 | 23,0 | 2,50 | 0,08 | 260 | 195 |
| PR 28-3 V4 | 28,0 | - | 22,0 | 3,00 | - | - | - |
| PR 28-4 V4 | 28,0 | - | 20,0 | 4,00 | - | - | - |
| PR 28-5 V4 | 28,0 | - | 18,0 | 5,00 | - | - | - |
| PR 30-2 V4 | 30,0 | 0,08 | 26,0 | 2,00 | 0,08 | 191 | 146 |
| PR 30-2.5 V4 | 30,0 | 0,08 | 25,0 | 2,50 | 0,08 | 243 | 183 |
| PR 30-3 V4 | 30,0 | 0,08 | 24,0 | 3,00 | 0,15 | 288 | 214 |
| PR 30-4 V4 | 30,0 | 0,08 | 22,0 | 4,00 | 0,15 | 392 | 282 |
| PR 30-5 V4 | 30,0 | 0,08 | 20,0 | 5,00 | 0,15 | 496 | 347 |
| PR 32-1.5 V4 | 32,0 | - | 29,0 | 1,50 | - | - | - |
| PR 32-2 V4 | 32,0 | - | 28,0 | 2,00 | - | - | - |
| PR 32-2.5 V4 | 32,0 | - | 27,0 | 2,50 | - | - | - |
| PR 32-4 V4 | 32,0 | - | 26,0 | 4,00 | - | - | - |
| PR 32-6 V4 | 32,0 | - | 20,0 | 6,00 | - | - | - |
| PR 35-1.5 V 4 | 35,0 | 0,08 | 32,0 | 1,50 | 0,08 | 119 | 93 |
| PR 35-2 V4 | 35,0 | 0,15 | 31,0 | 2,00 | 0,15 | 151 | 117 |
| PR 35-2.5 V4 | 35,0 | 0,15 | 30,0 | 2,50 | 0,15 | 196 | 149 |
| PR 35-3 V4 | 35,0 | - | 29,0 | 3,00 | - | - | - |
| PR 35-4 V4 | 35,0 | - | 27,0 | 4,00 | - | - | - |
| PR 35-5 V 4 | 35,0 | 0,15 | 25,0 | 5,00 | 0,15 | 418 | 299 |
| PR 38-1.5 V4 | 38,0 | - | 35,0 | 1,50 | - | - | - |
| PR 38-2 V4 | 38,0 | - | 34,0 | 2,00 | - | - | - |
| PR 38-2.6 V4 | 38,0 | - | 32,8 | 2,60 | - | - | - |
| PR 38-3 V4 | 38,0 | - | 32,0 | 3,00 | - | - | - |
| PR 38-4 V4 | 38,0 | 0,15 | 30,0 | 4,00 | 0,15 | 303 | 224 |
| PR 38-5 V4 | 38,0 | 0,15 | 28,0 | 5,00 | 0,15 | 385 | 278 |
| PR 38-6 V4 | 38,0 | - | 26,0 | 6,00 | - | - | - |



Въпреки най-старателната проверка не са изключени грешки и ние не поемаме гаранция за съдържащите се данни.

29.04.2026

HANSA-FLEX AG

www.hansa-flex.com

PR V4 (M)

Прецизионна стоманена тръба, метрична, 1.4571



Артикул

| Обозначение | Ø d2 (mm) | Толеранс AD +/- (mm) | Ø d1 (mm) | S (mm) | Толеранс ID +/- (mm) | Случай на натоварване I (bar) | Случай на натоварване III (bar) |
|----------------|--------------|-------------------------|--------------|-----------|-------------------------|----------------------------------|------------------------------------|
| PR 40-2 V4 | 40,0 | - | 36,0 | 2,00 | - | - | - |
| PR 42-2 V4 | 42,0 | 0,20 | 38,0 | 2,00 | 0,20 | 118 | 92 |
| PR 42-3 V4 | 42,0 | 0,20 | 36,0 | 3,00 | 0,20 | 193 | 147 |
| PR 42-6 V4 | 42,0 | - | 30,0 | 6,00 | - | - | - |
| PR 43-1.5 V4 | 43,0 | - | 40,0 | 1,50 | - | - | - |
| PR 50-1.5 V4 | 50,0 | - | 47,0 | 1,50 | - | - | - |
| PR 50-2 V4 | 50,0 | - | 46,0 | 2,00 | - | - | - |
| PR 50-4 V4 | 50,0 | - | 42,0 | 4,00 | - | - | - |
| PR 50-5 V4 | 50,0 | - | 40,0 | 5,00 | - | - | - |
| PR 50-6 V4 | 50,0 | - | 38,0 | 6,00 | - | - | - |
| PR 54-2 V4 | 54,0 | - | 50,0 | 2,00 | - | - | - |
| PR 57-2 V4 | 57,0 | - | 53,0 | 2,00 | - | - | - |
| PR 63.5-1.5 V4 | 63,5 | - | 60,5 | 1,50 | - | - | - |
| PR 64-2 V4 | 64,0 | - | 60,0 | 2,00 | - | - | - |
| PR 70-1.5 V4 | 70,0 | - | 67,0 | 1,50 | - | - | - |
| PR 70-2 V4 | 70,0 | - | 66,0 | 2,00 | - | - | - |
| PR 70-5 V4 | 70,0 | - | 60,0 | 5,00 | - | - | - |
| PR 101.5-2 V4 | 101,5 | - | 97,5 | 2,00 | - | - | - |
| PR 108-3 V4 | 108,0 | - | 102,0 | 3,00 | - | - | - |
| PR 129-2 V4 | 129,0 | - | 125,0 | 2,00 | - | - | - |
| PR 133-4 V4 | 133,0 | - | 125,0 | 4,00 | - | - | - |
| PR 152-2 V4 | 152,0 | - | 148,0 | 2,00 | - | - | - |
| PR 159-4.5 V4 | 159,0 | - | 150,0 | 4,50 | - | - | - |