

K-HAND-SCHIEBEVENTIL

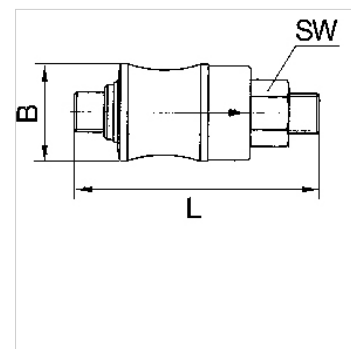
Manual slide valves

HANSA FLEX

Свойства

Работно налягане макс. 10 bar

работна температура max. +70 °C



Указание

Други данни при запитване.

Описание

For use on devices that have to be vented whenever they are turned off, either because of safety regulations or for technical reasons. The pneumatic devices are disconnected from the system and simultaneously vented each time they are shut off.

Артикул

Обозначение	Резба	B (mm)	L (mm)	SW (mm)
K- 07 30 15 92	G 1/8	21,0	67,0	14
K- 07 30 15 93	G 1/4	24,0	77,0	17
K- 07 30 15 94	G 3/8	31,0	87,0	22
K- 07 30 15 95	G 1/2	35,0	104,0	26