

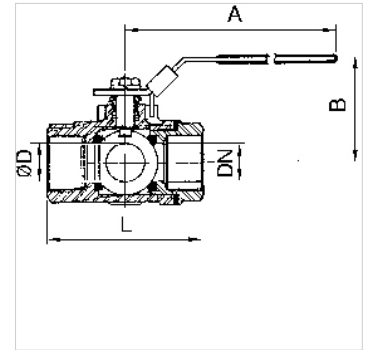
K-3 BKR L VA

3-way ball valves, L-bore

HANSA FLEX

Свойства

Работно налягане	max. 63 bar
работна температура	max. 160 °C
Свредлован отвор	форма L
ориентировъчни стойности	Up to 40 °C: 63 bar, 150 °C: 28 bar
уплътнение	RTFE
ръчен лост	Stainless steel
сферичен кран	Stainless steel 1.4408



Указание

G thread acc. to DIN EN ISO 228-1, with ISO flange plate (acc. to ISO 5211)
Други данни при запитване.

Описание

With L-bore, reduced bore. Version for sealing on all sides with integrated ISO flange plate (ISO 5211). The lever can be turned 360° to allow several switching variants.

Указания за поръчка

For use on devices that have to be vented whenever they are turned off, either because of safety regulations or for technical reasons. The pneumatic devices are disconnected from the system and simultaneously vented each time they are shut off.

Допълнителна информация

G thread acc. DIN EN ISO 228-1

Артикул

Обозначение	DN	Резба	A (mm)	B (mm)	L (mm)	Ø D (mm)
K- 07 30 15 02	8	G 1/4	114,0	73,0	80,0	11,0
K- 07 30 15 03	10	G 3/8	114,0	73,0	80,0	11,0
K- 07 30 15 04	15	G 1/2	114,0	73,0	80,0	12,5
K- 07 30 15 05	20	G 3/4	133,0	78,0	87,0	16,0
K- 07 30 15 06	25	G 1	133,0	83,0	100,0	20,0
K- 07 30 15 07	32	G 1 1/4	187,0	92,0	123,0	25,0
K- 07 30 15 08	40	G 1 1/2	187,0	98,0	142,0	31,8
K- 07 30 15 09	50	G 2	187,0	126,0	170,0	38,1