

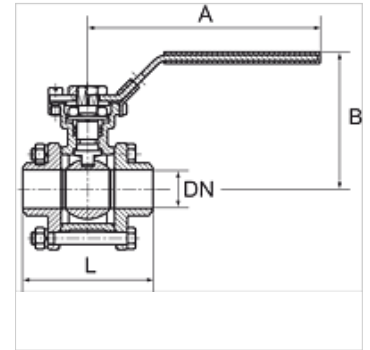
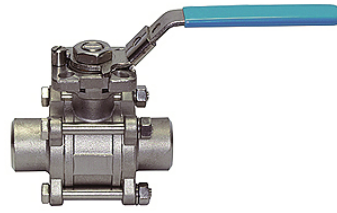
K-BKR ANSCHWEISS VA

Ball valves

HANSA FLEX

Свойства

| | |
|----------------------------|---|
| Работно налягане | max. 70 bar (depending on temperature and nominal size) |
| 1.1/4" to 1.1/2" | 20 °C: 70 bar, 60 °C: 55 bar, 100 °C: 35 bar, 150 °C: 6 bar, 180 °C: 4 bar, 200 °C: 0 bar |
| 1/4" bis 1" | 20 °C: 70 bar, 60 °C: 65 bar, 100 °C: 45 bar, 150 °C: 7 bar, 180 °C: 4 bar, 200 °C: 0 bar |
| 2" | 20 °C: 60 bar, 60 °C: 40 bar, 100 °C: 30 bar, 150 °C: 5 bar, 180 °C: 4 bar, 200 °C: 0 bar |
| работна температура | 200 °C at 0 bar |
| уплътнение | 15 % RPTFE (glass fibre reinforced PTFE) |
| ръчен лост | Stainless steel 1.4301 |



Указание

G thread acc. to DIN EN ISO 228-1, with ISO flange plate (acc. to ISO 5211)
Други данни при запитване.

Допълнителна информация

With ISO flange plate (acc. to ISO 5211)

Артикул

| Обозначение | DN | A (mm) | B (mm) | L (mm) | Материал |
|----------------|----|-----------|-----------|-----------|-------------------------------|
| K- 07 30 14 78 | 12 | 123,0 | 74,0 | 70,0 | Stainless steel 1.4401/1.4408 |
| K- 07 30 14 79 | 13 | 123,0 | 74,0 | 70,0 | Stainless steel 1.4401/1.4408 |
| K- 07 30 14 80 | 15 | 123,0 | 74,0 | 75,0 | Stainless steel 1.4401/1.4408 |
| K- 07 30 14 81 | 20 | 123,0 | 78,0 | 90,0 | Stainless steel 1.4401/1.4408 |
| K- 07 30 14 82 | 25 | 152,0 | 90,0 | 100,0 | Stainless steel 1.4401/1.4408 |
| K- 07 30 14 83 | 32 | 152,0 | 94,0 | 110,0 | Stainless steel 1.4401/1.4408 |
| K- 07 30 14 84 | 40 | 182,0 | 110,0 | 125,0 | Stainless steel 1.4401/1.4408 |
| K- 07 30 14 85 | 50 | 182,0 | 118,0 | 150,0 | Stainless steel 1.4401/1.4408 |