

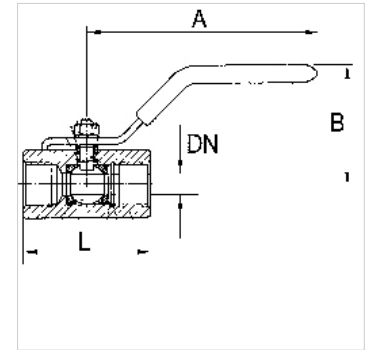
# K-BKR STANDARD ZWEIFTEILIG VA

Ball valves

**HANSA FLEX**

## Свойства

<b>Работно налягане</b>	max. 70 bar (depending on temperature and nominal size)
<b>1.1/4" to 1.1/2"</b>	20 °C: 70 bar, 60 °C: 55 bar, 100 °C: 35 bar, 150 °C: 6 bar, 180 °C: 4 bar, 200 °C: 0 bar
<b>1/4" bis 1"</b>	20 °C: 70 bar, 60 °C: 65 bar, 100 °C: 45 bar, 150 °C: 7 bar, 180 °C: 4 bar, 200 °C: 0 bar
<b>2"</b>	20 °C: 60 bar, 60 °C: 40 bar, 100 °C: 30 bar, 150 °C: 5 bar, 180 °C: 4 bar, 200 °C: 0 bar
<b>работна температура</b>	200 °C at 0 bar
<b>уплътнение</b>	15 % RPTFE (glass fibre reinforced PTFE)
<b>ръчен лост</b>	Stainless steel 1.4301



## Указание

G thread acc. to DIN EN ISO 228-1, with ISO flange plate (acc. to ISO 5211)  
Други данни при запитване.

## Описание

Full bore

## Указания за поръчка

For use on devices that have to be vented whenever they are turned off, either because of safety regulations or for technical reasons. The pneumatic devices are disconnected from the system and simultaneously vented each time they are shut off.

## Допълнителна информация

G thread acc. DIN EN ISO 228-1

## Артикул

Обозначение	DN	Резба	A (mm)	B (mm)	L (mm)	Материал
K- 07 30 00 01	8	G 1/4	102,0	56,0	52,0	Stainless steel 1.4401/1.4408
K- 07 30 00 02	10	G 3/8	102,0	56,0	52,0	Stainless steel 1.4401/1.4408
K- 07 30 00 03	15	G 1/2	123,0	65,0	58,0	Stainless steel 1.4401/1.4408
K- 07 30 00 04	20	G 3/4	123,0	68,0	67,0	Stainless steel 1.4401/1.4408
K- 07 30 00 05	25	G 1	153,0	79,0	78,0	Stainless steel 1.4401/1.4408
K- 07 30 00 06	32	G 1 1/4	153,0	84,0	90,0	Stainless steel 1.4401/1.4408
K- 07 30 00 07	40	G 1 1/2	183,0	93,0	104,0	Stainless steel 1.4401/1.4408
K- 07 30 00 08	50	G 2	183,0	99,0	127,0	Stainless steel 1.4401/1.4408