

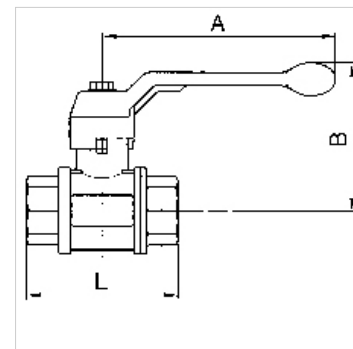
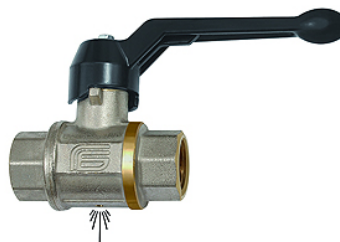
K-S-BKR M ENTL

Safety ball valves

HANSA FLEX

Свойства

работна температура	0 °C to +60 °C
резба описание	Rp thread acc. to ISO 7-1
уплътняващ материал	PTFE
корпус, сфера, шпиндел, салник	Nickel-plated brass
ръчен лост	Die-cast aluminium, black
Материал	sealing: PTFE



Указание

Други данни при запитване.

Описание

2/2-way brass safety ball valves. Specially designed for pneumatic applications. The ball valve shuts off the supply side and relieves the application into the atmosphere.

Артикул

Обозначение	DN	Резба	A (mm)	B (mm)	L (mm)	макс. работно налягане при 20°C (bar)
K- 07 30 21 08	8	Rp 1/4	100,0	61,0	52,0	12
K- 07 30 21 09	10	Rp 3/8	100,0	61,0	55,0	12
K- 07 30 21 10	15	Rp 1/2	100,0	64,0	69,0	12
K- 07 30 21 11	20	Rp 3/4	120,0	76,0	77,0	12
K- 07 30 21 12	25	Rp 1	120,0	80,0	89,0	12
K- 07 30 21 13	32	Rp 1 1/4	150,0	98,0	103,0	12
K- 07 30 21 14	40	Rp 1 1/2	150,0	104,0	114,0	12
K- 07 30 21 15	50	Rp 2	175,0	119,0	134,0	12