

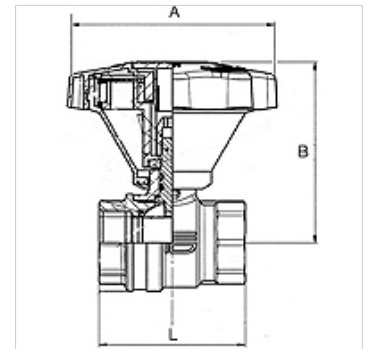
K-BKR FEINEINSTELLUNG

Ball valves

HANSA FLEX

Свойства

Работно налягане	Max. 40 bar
работна температура	-15 °C to +100 °C
резба описание	G thread acc. DIN EN ISO 228-1
корпус	Nickel-plated brass (outside); Brass with a bare metal surface (inside)
ръчно колело	Plastic
сачма	Chrome-plated brass
сферично уплътнение	PTFE
уплътнение на шпindel	NBR



Указание

Други данни при запитване.

Описание

Brass ball valves in the standard series with fine adjustment. Unlike our classic standard ball valves (open-close function), this model features a special stem technology that allows finely modulated opening and closing of the line. The flow rate can be regulated extremely precisely as a result. The cock is made of low-lead brass with a bare brass surface on the inside. It is thus safe to use with drinking water. This valve complies with the European standard EN 13828 and the working paper DVGW W 570.

Артикул

Обозначение	DN	Резба	A (mm)	B (mm)	L (mm)
K- 07 30 00 41	10	G 3/8	83,0	63,0	43,4
K- 07 30 00 42	15	G 1/2	83,0	70,0	50,1
K- 07 30 00 43	20	G 3/4	83,0	76,0	58,0
K- 07 30 00 44	25	G 1	83,0	80,0	68,8
K- 07 30 00 45	32	G 1 1/4	130,0	110,0	81,0
K- 07 30 00 46	40	G 1 1/2	130,0	116,0	93,2
K- 07 30 00 47	50	G 2	130,0	123,0	110,2