

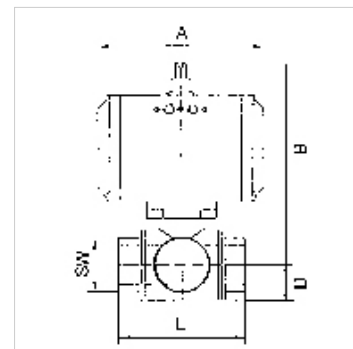
K-3 BKR L EINFACHWIRKEND

Stainless steel ball valves, 3-way, with single-acting actuator, L-bore

HANSA FLEX

Свойства

Конструкция	Pneumatic actuators, in double- or single acting version, with integrated end-position feedback
Свердлован отвор	форма L
Работно налягане	max. 63 bar (depending on temperature and nominal size)
работна температура	-20 °C to +70 °C
Ъгъл на завъртане	90 °
стандартни места на срез	Interface actuator / valve: four or eight threaded holes in the drive housing according to EN ISO 5211, Interface actuator / S
налягане на управление	5.5 bar
клапанен адаптер	Acc. to NAMUR
задвижване	aluminium eloxed
уплътнение на задвижване	NBR
сферичен кран	Stainless steel 1.4401, with ISO-flange plate
уплътнение сферичен кран	PTFE/FKM



Указание

G thread acc. to DIN EN ISO 228-1, with ISO flange plate (acc. to ISO 5211)

Други данни при запитване.

Описание

3-way cock, reduced bore

Допълнителна информация

Other T-positions on request

Артикул

Обозначение	DN	Резба	положение	A (mm)	B (mm)	D (mm)	L (mm)	SW (mm)
K- 07 30 03 11	15	Rp 1/2	L 1	133,0	139,0	20,0	73,0	27
K- 07 30 03 12	20	Rp 3/4	L 1	137,0	159,0	23,0	80,0	32
K- 07 30 03 13	25	Rp 1	L 1	161,0	174,5	28,5	90,0	41
K- 07 30 03 14	32	Rp 1 1/4	L 1	161,0	179,5	36,5	90,0	50
K- 07 30 03 15	40	Rp 1 1/2	L 1	180,0	185,0	37,0	105,0	55
K- 07 30 03 16	50	Rp 2	L 1	209,0	213,5	47,5	115,0	71