

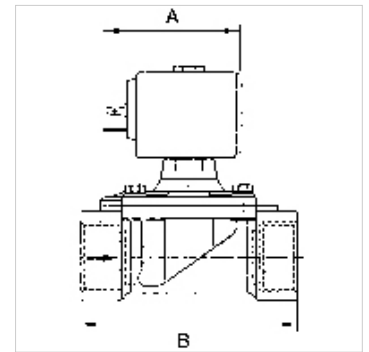
# K-MV O D 24 V DC

Normally open, directly operated, 24 V DC (direct current)

**HANSA FLEX**

## Свойства

електрическо съединение	For connector socket Pg 9/Pg 11, acc. to ISO 4400
вид защита	IP65 (with connector socket fitted)
температура на средата	-10 °C to +90 °C (NBR); -10 °C bis +140 °C (FKM)
корпус, гнездо на клапан	Brass
вътрешни части	Stainless steel
уплътнение	Perbunan (NBR) or FKM



## Указание

Други данни при запитване.

## Описание

Economy series available in three different versions: Directly operated, Combined operation, Pilot-operated. For all applications with compressed air, neutral gases or low-viscosity, neutral media.

## Артикул

Обозначение	Резба	макс. работно налягане (bar)	NW	уплътняващ материал	A (mm)	B (mm)	модификация
K- 07 30 23 87	G 1/8	20	2,0	FKM	54,0	40,0	2
K- 07 30 23 88	G 1/8	14	2,5	FKM	54,0	40,0	2
K- 07 30 23 89	G 1/4	10	3,0	FKM	54,0	40,0	2
K- 07 30 23 90	G 1/4	4	4,5	FKM	54,0	40,0	2