

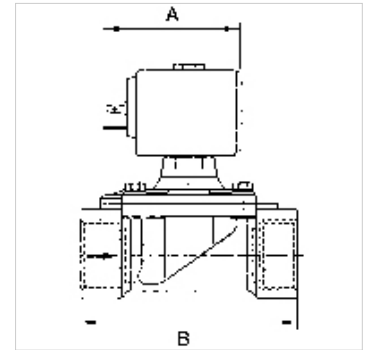
K-MV O V 230 V, 50 - 60 HZ 1

Normally open, pilot-operated, 230 V, 50 to 60 Hz

HANSA FLEX

Свойства

| | |
|--------------------------|---|
| електрическо съединение | For connector socket Pg 9/Pg 11, acc. to ISO 4400 |
| вид защита | IP65 (with connector socket fitted) |
| температура на средата | -10 °C to +90 °C (NBR); -10 °C bis +140 °C (FKM) |
| корпус, гнездо на клапан | Brass |
| вътрешни части | Stainless steel |
| уплътнение | Perbunan (NBR) or FKM |



Указание

Други данни при запитване.

Описание

Economy series available in three different versions: Directly operated, Combined operation, Pilot-operated. For all applications with compressed air, neutral gases or low-viscosity, neutral media.

Артикул

| Обозначение | Резба | макс. работно налягане (bar) | мин. работно налягане (bar) | NW | уплътняващ материал | A (mm) | B (mm) | модификация |
|----------------|---------|------------------------------|-----------------------------|------|---------------------|--------|--------|-------------|
| K- 07 30 23 70 | G 3/8 | 16 | 0,20 | 13,0 | NBR | 54,0 | 60,0 | 4 |
| K- 07 30 23 71 | G 1/2 | 16 | 0,20 | 13,0 | NBR | 54,0 | 66,0 | 4 |
| K- 07 30 23 72 | G 3/4 | 16 | 0,20 | 19,0 | NBR | 54,0 | 104,0 | 6 |
| K- 07 30 23 73 | G 1 | 16 | 0,20 | 25,0 | NBR | 54,0 | 104,0 | 6 |
| K- 07 30 23 74 | G 1 1/4 | 10 | 0,20 | 35,0 | NBR | 54,0 | 144,0 | 6 |
| K- 07 30 23 75 | G 1 1/2 | 10 | 0,20 | 40,0 | NBR | 54,0 | 144,0 | 6 |
| K- 07 30 23 76 | G 2 | 10 | 0,20 | 50,0 | NBR | 54,0 | 172,0 | 6 |