

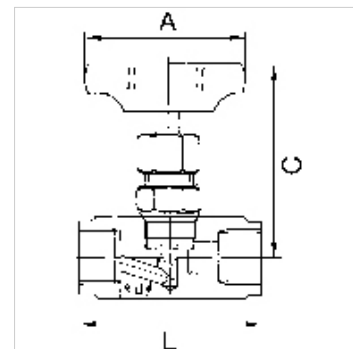
K-NADELVENTILE VA

Needle valves

HANSA FLEX

Свойства

Работно налягане	max. 400 bar (at 20 °C); max. 250 bar (at G 1 - 20 °C)
работна температура	-20 °C to +120 °C
уплътняващ материал	PTFE
корпус	Stainless steel 1.4571
ръчно колело	Plastic
Материал	sealing: PTFE



Указание

G thread acc. to DIN EN ISO 228-1, with ISO flange plate (acc. to ISO 5211)

Други данни при запитване.

Указания за поръчка

For use on devices that have to be vented whenever they are turned off, either because of safety regulations or for technical reasons. The pneumatic devices are disconnected from the system and simultaneously vented each time they are shut off.

Допълнителна информация

Port sizes G 1 1/4, G 1 1/2 and G 2 available on request

Артикул

Обозначение	DN	Резба	A (mm)	C (mm)	L (mm)
K- 07 30 24 03	4	G 1/8	50,0	74,0	50,0
K- 07 30 24 04	5	G 1/4	50,0	73,0	50,0
K- 07 30 24 05	6	G 3/8	50,0	72,0	55,0
K- 07 30 24 06	8	G 1/2	63,0	83,0	60,0
K- 07 30 24 07	10	G 3/4	63,0	100,0	75,0
K- 07 30 24 08	12	G 1	80,0	110,0	100,0