

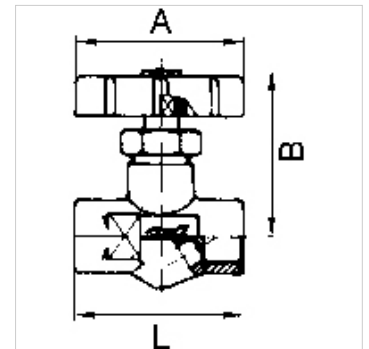
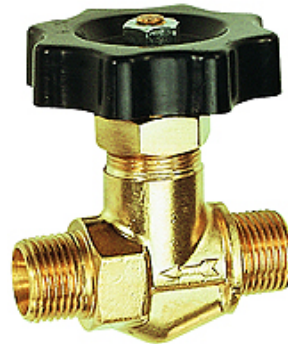
K-NADELVENTILE MS

Needle valves

HANSA FLEX

Свойства

| | |
|------------------|----------------------|
| Работно налягане | Max. 16 bar |
| температура | -30 °C to +110 °C |
| уплътнения | NBR |
| корпус | Brass |
| ръчно колело | Plastic |
| шпиндел | With fine adjustment |



Указание

Други данни при запитване.

Артикул

| Обозначение | DN | Резба | A (mm) | B (mm) | L (mm) | SW (mm) |
|----------------|----|--------------|-----------|-----------|-----------|------------|
| K- 07 30 03 55 | 4 | G 1/4 male | 48,0 | 50,0 | 45,0 | 17 |
| K- 07 30 03 56 | 4 | G 3/8 male | 48,0 | 54,0 | 51,0 | 22 |
| K- 07 30 03 57 | 4 | G 1/4 female | 48,0 | 48,0 | 42,0 | 17 |
| K- 07 30 03 58 | 4 | G 3/8 female | 48,0 | 52,0 | 51,0 | 22 |
| K- 07 30 03 59 | 4 | G 1/2 female | 48,0 | 56,0 | 64,0 | 27 |