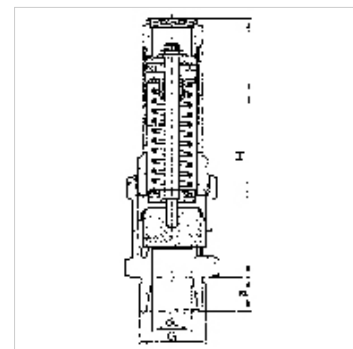


Свойства

Работно налягане	see operating pressure
работна температура	-10 °C to +200 °C
уплътнения	FKM
притискаща пружина	C steel
корпус	Brass



Указание

G thread acc. to DIN EN ISO 228-1, with ISO flange plate (acc. to ISO 5211)
 Други данни при запитване.

Описание

For compressed air and non-toxic, non-flammable gases, cannot be used for liquids due to free blow-off, not suitable for steam. These valves are TÜV approved and have a TÜV type test number.

Допълнителна информация

Important information: These valves are type-tested and are only allowed to be delivered with a fixed setting.

Артикул

Обозначение	Резба	Налягане на задействане	a (mm)	do (mm)	H (mm)	SW (mm)
K- 07 30 25 53	G 1/2"	0.2 bar	14,0	12,0	93,0	27
K- 07 30 25 54	G 1/2"	0.3 bar	14,0	12,0	93,0	27
K- 07 30 25 55	G 1/2"	0.4 bar	14,0	12,0	93,0	27
K- 07 30 25 56	G 1/2"	0.45 bar	14,0	12,0	93,0	27
K- 07 30 25 57	G 1/2"	0.5 bar	14,0	12,0	93,0	27
K- 07 30 25 58	G 1/2"	0.55 bar	14,0	12,0	93,0	27
K- 07 30 25 59	G 1/2"	0.6 bar	14,0	12,0	93,0	27
K- 07 30 25 60	G 1/2"	0.7 bar	14,0	12,0	93,0	27
K- 07 30 25 61	G 1/2"	0.8 bar	14,0	12,0	93,0	27
K- 07 30 25 62	G 1/2"	0.9 bar	14,0	12,0	93,0	27
K- 07 30 25 63	G 1/2"	1.0 bar	14,0	12,0	93,0	27
K- 07 30 25 64	G 1/2"	1.1 bar	14,0	12,0	93,0	27
K- 07 30 25 65	G 1/2"	1.2 bar	14,0	12,0	93,0	27
K- 07 30 25 66	G 1/2"	1.5 bar	14,0	12,0	93,0	27
K- 07 30 25 83	G 1/2"	2.0 bar	14,0	12,0	93,0	27
K- 07 30 25 84	G 1/2"	2.2 bar	14,0	12,0	93,0	27
K- 07 30 25 85	G 1/2"	2.4 bar	14,0	12,0	93,0	27
K- 07 30 25 86	G 1/2"	2.5 bar	14,0	12,0	93,0	27
K- 07 30 25 87	G 1/2"	2.6 bar	14,0	12,0	93,0	27
K- 07 30 25 93	G 1/2"	3.0 bar	14,0	12,0	93,0	27
K- 07 30 25 94	G 1/2"	3.5 bar	14,0	12,0	93,0	27
K- 07 30 25 95	G 1/2"	3.8 bar	14,0	12,0	93,0	27
K- 07 30 25 96	G 1/2"	4.0 bar	14,0	12,0	93,0	27
K- 07 30 25 97	G 1/2"	4.1 bar	14,0	12,0	93,0	27
K- 07 30 25 98	G 1/2"	4.3 bar	14,0	12,0	93,0	27
K- 07 30 25 99	G 1/2"	4.5 bar	14,0	12,0	93,0	27
K- 07 30 26 00	G 1/2"	5.0 bar	14,0	12,0	93,0	27
K- 07 30 26 01	G 1/2"	5.5 bar	14,0	12,0	93,0	27
K- 07 30 26 02	G 1/2"	5.8 bar	14,0	12,0	93,0	27
K- 07 30 26 03	G 1/2"	6.0 bar	14,0	12,0	93,0	27
K- 07 30 26 04	G 1/2"	6.3 bar	14,0	12,0	93,0	27
K- 07 30 26 05	G 1/2"	6.5 bar	14,0	12,0	93,0	27
K- 07 30 26 06	G 1/2"	6.8 bar	14,0	12,0	93,0	27
K- 07 30 26 07	G 1/2"	7.0 bar	14,0	12,0	93,0	27
K- 07 30 26 08	G 1/2"	7.7 bar	14,0	12,0	93,0	27
K- 07 30 26 09	G 1/2"	7.8 bar	14,0	12,0	93,0	27



Артикул

Обозначение	Резба	Налягане на задействане	a (mm)	do (mm)	H (mm)	SW (mm)
K- 07 30 26 10	G 1/2"	8.0 bar	14,0	12,0	93,0	27
K- 07 30 26 11	G 1/2"	8.5 bar	14,0	12,0	93,0	27
K- 07 30 26 12	G 1/2"	9.0 bar	14,0	12,0	93,0	27
K- 07 30 26 13	G 1/2"	9.5 bar	14,0	12,0	93,0	27
K- 07 30 25 67	G 1/2"	10.0 bar	14,0	12,0	93,0	27
K- 07 30 25 68	G 1/2"	10.5 bar	14,0	12,0	93,0	27
K- 07 30 25 69	G 1/2"	11.0 bar	14,0	12,0	93,0	27
K- 07 30 25 70	G 1/2"	11.5 bar	14,0	12,0	93,0	27
K- 07 30 25 71	G 1/2"	12.0 bar	14,0	12,0	93,0	27
K- 07 30 25 72	G 1/2"	12.5 bar	14,0	12,0	93,0	27
K- 07 30 25 73	G 1/2"	13.0 bar	14,0	12,0	93,0	27
K- 07 30 25 74	G 1/2"	14.0 bar	14,0	12,0	93,0	27
K- 07 30 25 75	G 1/2"	14.5 bar	14,0	12,0	93,0	27
K- 07 30 25 76	G 1/2"	15.0 bar	14,0	12,0	93,0	27
K- 07 30 25 77	G 1/2"	15.5 bar	14,0	12,0	93,0	27
K- 07 30 25 78	G 1/2"	16.0 bar	14,0	12,0	93,0	27
K- 07 30 25 79	G 1/2"	17.0 bar	14,0	12,0	93,0	27
K- 07 30 25 80	G 1/2"	17.5 bar	14,0	12,0	93,0	27
K- 07 30 25 81	G 1/2"	18.0 bar	14,0	12,0	93,0	27
K- 07 30 25 82	G 1/2"	18.5 bar	14,0	12,0	93,0	27
K- 07 30 25 88	G 1/2"	20.0 bar	14,0	12,0	93,0	27
K- 07 30 25 89	G 1/2"	22.0 bar	14,0	12,0	93,0	27
K- 07 30 25 90	G 1/2"	23.0 bar	14,0	12,0	93,0	27
K- 07 30 25 91	G 1/2"	24.0 bar	14,0	12,0	93,0	27
K- 07 30 25 92	G 1/2"	25.0 bar	14,0	12,0	93,0	27
K- 07 30 26 14	G 3/4"	0.2 bar	16,0	15,0	110,0	32
K- 07 30 26 15	G 3/4"	0.27 bar	16,0	15,0	110,0	32
K- 07 30 26 16	G 3/4"	0.5 bar	16,0	15,0	110,0	32
K- 07 30 26 17	G 3/4"	0.7 bar	16,0	15,0	110,0	32
K- 07 30 26 18	G 3/4"	0.8 bar	16,0	15,0	110,0	32
K- 07 30 26 19	G 3/4"	0.9 bar	16,0	15,0	110,0	32
K- 07 30 26 20	G 3/4"	1.0 bar	16,0	15,0	110,0	32
K- 07 30 26 21	G 3/4"	1.1 bar	16,0	15,0	110,0	32
K- 07 30 26 22	G 3/4"	1.5 bar	16,0	15,0	110,0	32
K- 07 30 26 23	G 3/4"	1.8 bar	16,0	15,0	110,0	32
K- 07 30 26 38	G 3/4"	2.0 bar	16,0	15,0	110,0	32
K- 07 30 26 39	G 3/4"	2.3 bar	16,0	15,0	110,0	32
K- 07 30 26 40	G 3/4"	2.5 bar	16,0	15,0	110,0	32
K- 07 30 26 41	G 3/4"	2.7 bar	16,0	15,0	110,0	32
K- 07 30 26 44	G 3/4"	3.0 bar	16,0	15,0	110,0	32
K- 07 30 26 45	G 3/4"	3.5 bar	16,0	15,0	110,0	32
K- 07 30 26 46	G 3/4"	4.0 bar	16,0	15,0	110,0	32
K- 07 30 26 47	G 3/4"	4.5 bar	16,0	15,0	110,0	32
K- 07 30 26 48	G 3/4"	5.0 bar	16,0	15,0	110,0	32
K- 07 30 26 49	G 3/4"	5.5 bar	16,0	15,0	110,0	32
K- 07 30 26 50	G 3/4"	6.0 bar	16,0	15,0	110,0	32
K- 07 30 26 51	G 3/4"	6.5 bar	16,0	15,0	110,0	32
K- 07 30 26 52	G 3/4"	6.7 bar	16,0	15,0	110,0	32
K- 07 30 26 53	G 3/4"	7.0 bar	16,0	15,0	110,0	32
K- 07 30 26 54	G 3/4"	7.5 bar	16,0	15,0	110,0	32
K- 07 30 26 55	G 3/4"	8.0 bar	16,0	15,0	110,0	32
K- 07 30 26 56	G 3/4"	8.5 bar	16,0	15,0	110,0	32
K- 07 30 26 57	G 3/4"	8.8 bar	16,0	15,0	110,0	32
K- 07 30 26 58	G 3/4"	9.0 bar	16,0	15,0	110,0	32
K- 07 30 26 59	G 3/4"	9.3 bar	16,0	15,0	110,0	32
K- 07 30 26 60	G 3/4"	9.5 bar	16,0	15,0	110,0	32
K- 07 30 26 24	G 3/4"	10.0 bar	16,0	15,0	110,0	32
K- 07 30 26 25	G 3/4"	10.5 bar	16,0	15,0	110,0	32
K- 07 30 26 26	G 3/4"	11.0 bar	16,0	15,0	110,0	32
K- 07 30 26 27	G 3/4"	11.5 bar	16,0	15,0	110,0	32
K- 07 30 26 28	G 3/4"	12.0 bar	16,0	15,0	110,0	32
K- 07 30 26 29	G 3/4"	13.0 bar	16,0	15,0	110,0	32
K- 07 30 26 30	G 3/4"	13.5 bar	16,0	15,0	110,0	32



Артикул

Обозначение	Резба	Налягане на задействане	a (mm)	do (mm)	H (mm)	SW (mm)
K- 07 30 26 31	G 3/4"	14.0 bar	16,0	15,0	110,0	32
K- 07 30 26 32	G 3/4"	14.5 bar	16,0	15,0	110,0	32
K- 07 30 26 33	G 3/4"	15.0 bar	16,0	15,0	110,0	32
K- 07 30 26 34	G 3/4"	16.0 bar	16,0	15,0	110,0	32
K- 07 30 26 35	G 3/4"	16.5 bar	16,0	15,0	110,0	32
K- 07 30 26 36	G 3/4"	18.0 bar	16,0	15,0	110,0	32
K- 07 30 26 37	G 3/4"	18.5 bar	16,0	15,0	110,0	32
K- 07 30 26 42	G 3/4"	20.0 bar	16,0	15,0	110,0	32
K- 07 30 26 43	G 3/4"	21.0 bar	16,0	15,0	110,0	32
K- 07 30 26 61	G 1"	0.2 bar	18,0	20,0	132,0	41
K- 07 30 26 62	G 1"	0.3 bar	18,0	20,0	132,0	41
K- 07 30 26 63	G 1"	0.4 bar	18,0	20,0	132,0	41
K- 07 30 26 64	G 1"	0.5 bar	18,0	20,0	132,0	41
K- 07 30 26 65	G 1"	0.6 bar	18,0	20,0	132,0	41
K- 07 30 26 66	G 1"	0.7 bar	18,0	20,0	132,0	41
K- 07 30 26 67	G 1"	0.8 bar	18,0	20,0	132,0	41
K- 07 30 26 68	G 1"	0.9 bar	18,0	20,0	132,0	41
K- 07 30 26 69	G 1"	1.0 bar	18,0	20,0	132,0	41
K- 07 30 26 70	G 1"	1.2 bar	18,0	20,0	132,0	41
K- 07 30 26 71	G 1"	1.3 bar	18,0	20,0	132,0	41
K- 07 30 26 72	G 1"	1.5 bar	18,0	20,0	132,0	41
K- 07 30 26 73	G 1"	1.6 bar	18,0	20,0	132,0	41
K- 07 30 26 74	G 1"	1.7 bar	18,0	20,0	132,0	41
K- 07 30 26 75	G 1"	1.8 bar	18,0	20,0	132,0	41
K- 07 30 26 76	G 1"	1.9 bar	18,0	20,0	132,0	41
K- 07 30 26 92	G 1"	2.0 bar	18,0	20,0	132,0	41
K- 07 30 26 93	G 1"	2.3 bar	18,0	20,0	132,0	41
K- 07 30 26 94	G 1"	2.5 bar	18,0	20,0	132,0	41
K- 07 30 26 95	G 1"	2.9 bar	18,0	20,0	132,0	41
K- 07 30 26 99	G 1"	3.0 bar	18,0	20,0	132,0	41
K- 07 30 27 00	G 1"	3.3 bar	18,0	20,0	132,0	41
K- 07 30 27 01	G 1"	3.5 bar	18,0	20,0	132,0	41
K- 07 30 27 02	G 1"	3.9 bar	18,0	20,0	132,0	41
K- 07 30 27 03	G 1"	4.0 bar	18,0	20,0	132,0	41
K- 07 30 27 04	G 1"	4.5 bar	18,0	20,0	132,0	41
K- 07 30 27 05	G 1"	5.0 bar	18,0	20,0	132,0	41
K- 07 30 27 06	G 1"	5.3 bar	18,0	20,0	132,0	41
K- 07 30 27 07	G 1"	5.5 bar	18,0	20,0	132,0	41
K- 07 30 27 08	G 1"	6.0 bar	18,0	20,0	132,0	41
K- 07 30 27 09	G 1"	6.5 bar	18,0	20,0	132,0	41
K- 07 30 27 10	G 1"	6.6 bar	18,0	20,0	132,0	41
K- 07 30 27 11	G 1"	7.0 bar	18,0	20,0	132,0	41
K- 07 30 27 12	G 1"	7.3 bar	18,0	20,0	132,0	41
K- 07 30 27 13	G 1"	7.5 bar	18,0	20,0	132,0	41
K- 07 30 27 14	G 1"	7.7 bar	18,0	20,0	132,0	41
K- 07 30 27 15	G 1"	7.8 bar	18,0	20,0	132,0	41
K- 07 30 27 16	G 1"	8.0 bar	18,0	20,0	132,0	41
K- 07 30 27 17	G 1"	8.5 bar	18,0	20,0	132,0	41
K- 07 30 27 18	G 1"	8.9 bar	18,0	20,0	132,0	41
K- 07 30 27 19	G 1"	9.0 bar	18,0	20,0	132,0	41
K- 07 30 27 20	G 1"	9.3 bar	18,0	20,0	132,0	41
K- 07 30 27 21	G 1"	9.5 bar	18,0	20,0	132,0	41
K- 07 30 26 77	G 1"	10.0 bar	18,0	20,0	132,0	41
K- 07 30 26 78	G 1"	10.5 bar	18,0	20,0	132,0	41
K- 07 30 26 79	G 1"	11.0 bar	18,0	20,0	132,0	41
K- 07 30 26 80	G 1"	11.7 bar	18,0	20,0	132,0	41
K- 07 30 26 81	G 1"	12.0 bar	18,0	20,0	132,0	41
K- 07 30 26 82	G 1"	12.5 bar	18,0	20,0	132,0	41
K- 07 30 26 83	G 1"	13.0 bar	18,0	20,0	132,0	41
K- 07 30 26 84	G 1"	14.0 bar	18,0	20,0	132,0	41
K- 07 30 26 85	G 1"	14.5 bar	18,0	20,0	132,0	41
K- 07 30 26 86	G 1"	15.0 bar	18,0	20,0	132,0	41
K- 07 30 26 87	G 1"	15.5 bar	18,0	20,0	132,0	41



Артикул

Обозначение	Резба	Налягане на задействане	a (mm)	do (mm)	H (mm)	SW (mm)
K- 07 30 26 88	G 1"	16.0 bar	18,0	20,0	132,0	41
K- 07 30 26 89	G 1"	16.5 bar	18,0	20,0	132,0	41
K- 07 30 26 90	G 1"	17.0 bar	18,0	20,0	132,0	41
K- 07 30 26 91	G 1"	18.0 bar	18,0	20,0	132,0	41
K- 07 30 26 96	G 1"	20.0 bar	18,0	20,0	132,0	41
K- 07 30 26 97	G 1"	25.0 bar	18,0	20,0	132,0	41
K- 07 30 26 98	G 1"	26.0 bar	18,0	20,0	132,0	41
K- 07 30 27 22	G 1 1/4"	0.2 bar	20,0	25,0	152,0	50
K- 07 30 27 23	G 1 1/4"	0.5 bar	20,0	25,0	152,0	50
K- 07 30 27 24	G 1 1/4"	0.6 bar	20,0	25,0	152,0	50
K- 07 30 27 25	G 1 1/4"	0.8 bar	20,0	25,0	152,0	50
K- 07 30 27 26	G 1 1/4"	1.0 bar	20,0	25,0	152,0	50
K- 07 30 27 27	G 1 1/4"	1.1 bar	20,0	25,0	152,0	50
K- 07 30 27 28	G 1 1/4"	1.5 bar	20,0	25,0	152,0	50
K- 07 30 27 39	G 1 1/4"	2.0 bar	20,0	25,0	152,0	50
K- 07 30 27 40	G 1 1/4"	2.3 bar	20,0	25,0	152,0	50
K- 07 30 27 41	G 1 1/4"	2.5 bar	20,0	25,0	152,0	50
K- 07 30 27 43	G 1 1/4"	3.0 bar	20,0	25,0	152,0	50
K- 07 30 27 44	G 1 1/4"	4.0 bar	20,0	25,0	152,0	50
K- 07 30 27 45	G 1 1/4"	4.5 bar	20,0	25,0	152,0	50
K- 07 30 27 46	G 1 1/4"	5.0 bar	20,0	25,0	152,0	50
K- 07 30 27 47	G 1 1/4"	6.0 bar	20,0	25,0	152,0	50
K- 07 30 27 48	G 1 1/4"	6.3 bar	20,0	25,0	152,0	50
K- 07 30 27 49	G 1 1/4"	6.5 bar	20,0	25,0	152,0	50
K- 07 30 27 50	G 1 1/4"	7.0 bar	20,0	25,0	152,0	50
K- 07 30 27 51	G 1 1/4"	7.5 bar	20,0	25,0	152,0	50
K- 07 30 27 52	G 1 1/4"	8.0 bar	20,0	25,0	152,0	50
K- 07 30 27 53	G 1 1/4"	8.5 bar	20,0	25,0	152,0	50
K- 07 30 27 54	G 1 1/4"	8.8 bar	20,0	25,0	152,0	50
K- 07 30 27 55	G 1 1/4"	9.0 bar	20,0	25,0	152,0	50
K- 07 30 27 56	G 1 1/4"	9.5 bar	20,0	25,0	152,0	50
K- 07 30 27 29	G 1 1/4"	10.0 bar	20,0	25,0	152,0	50
K- 07 30 27 30	G 1 1/4"	10.5 bar	20,0	25,0	152,0	50
K- 07 30 27 31	G 1 1/4"	11.0 bar	20,0	25,0	152,0	50
K- 07 30 27 32	G 1 1/4"	12.0 bar	20,0	25,0	152,0	50
K- 07 30 27 33	G 1 1/4"	13.0 bar	20,0	25,0	152,0	50
K- 07 30 27 34	G 1 1/4"	14.0 bar	20,0	25,0	152,0	50
K- 07 30 27 35	G 1 1/4"	15.0 bar	20,0	25,0	152,0	50
K- 07 30 27 36	G 1 1/4"	16.0 bar	20,0	25,0	152,0	50
K- 07 30 27 37	G 1 1/4"	17.0 bar	20,0	25,0	152,0	50
K- 07 30 27 38	G 1 1/4"	18.0 bar	20,0	25,0	152,0	50
K- 07 30 27 42	G 1 1/4"	22.0 bar	20,0	25,0	152,0	50
K- 07 30 27 57	G 1 1/2"	0.2 bar	22,0	32,0	178,0	55
K- 07 30 27 58	G 1 1/2"	0.4 bar	22,0	32,0	178,0	55
K- 07 30 27 59	G 1 1/2"	0.5 bar	22,0	32,0	178,0	55
K- 07 30 27 60	G 1 1/2"	0.6 bar	22,0	32,0	178,0	55
K- 07 30 27 61	G 1 1/2"	0.65 bar	22,0	32,0	178,0	55
K- 07 30 27 62	G 1 1/2"	0.75 bar	22,0	32,0	178,0	55
K- 07 30 27 63	G 1 1/2"	0.8 bar	22,0	32,0	178,0	55
K- 07 30 27 64	G 1 1/2"	0.9 bar	22,0	32,0	178,0	55
K- 07 30 27 65	G 1 1/2"	1.0 bar	22,0	32,0	178,0	55
K- 07 30 27 66	G 1 1/2"	1.5 bar	22,0	32,0	178,0	55
K- 07 30 27 67	G 1 1/2"	1.6 bar	22,0	32,0	178,0	55
K- 07 30 27 77	G 1 1/2"	2.0 bar	22,0	32,0	178,0	55
K- 07 30 27 78	G 1 1/2"	2.1 bar	22,0	32,0	178,0	55
K- 07 30 27 79	G 1 1/2"	2.3 bar	22,0	32,0	178,0	55
K- 07 30 27 80	G 1 1/2"	2.5 bar	22,0	32,0	178,0	55
K- 07 30 27 81	G 1 1/2"	2.6 bar	22,0	32,0	178,0	55
K- 07 30 27 82	G 1 1/2"	3.0 bar	22,0	32,0	178,0	55
K- 07 30 27 83	G 1 1/2"	3.2 bar	22,0	32,0	178,0	55
K- 07 30 27 84	G 1 1/2"	4.0 bar	22,0	32,0	178,0	55
K- 07 30 27 85	G 1 1/2"	4.5 bar	22,0	32,0	178,0	55
K- 07 30 27 86	G 1 1/2"	5.0 bar	22,0	32,0	178,0	55



Артикул						
Обозначение	Резба	Налягане на задействане	a (mm)	do (mm)	H (mm)	SW (mm)
K- 07 30 27 87	G 1 1/2"	5.8 bar	22,0	32,0	178,0	55
K- 07 30 27 88	G 1 1/2"	6.0 bar	22,0	32,0	178,0	55
K- 07 30 27 89	G 1 1/2"	6.5 bar	22,0	32,0	178,0	55
K- 07 30 27 90	G 1 1/2"	7.0 bar	22,0	32,0	178,0	55
K- 07 30 27 91	G 1 1/2"	7.5 bar	22,0	32,0	178,0	55
K- 07 30 27 92	G 1 1/2"	7.7 bar	22,0	32,0	178,0	55
K- 07 30 27 93	G 1 1/2"	8.0 bar	22,0	32,0	178,0	55
K- 07 30 27 94	G 1 1/2"	8.5 bar	22,0	32,0	178,0	55
K- 07 30 27 95	G 1 1/2"	9.0 bar	22,0	32,0	178,0	55
K- 07 30 27 96	G 1 1/2"	9.5 bar	22,0	32,0	178,0	55
K- 07 30 27 68	G 1 1/2"	10.0 bar	22,0	32,0	178,0	55
K- 07 30 27 69	G 1 1/2"	10.5 bar	22,0	32,0	178,0	55
K- 07 30 27 70	G 1 1/2"	11.0 bar	22,0	32,0	178,0	55
K- 07 30 27 71	G 1 1/2"	12.0 bar	22,0	32,0	178,0	55
K- 07 30 27 72	G 1 1/2"	13.0 bar	22,0	32,0	178,0	55
K- 07 30 27 73	G 1 1/2"	14.0 bar	22,0	32,0	178,0	55
K- 07 30 27 74	G 1 1/2"	14.5 bar	22,0	32,0	178,0	55
K- 07 30 27 75	G 1 1/2"	15.0 bar	22,0	32,0	178,0	55
K- 07 30 27 76	G 1 1/2"	16.0 bar	22,0	32,0	178,0	55
K- 07 30 27 97	G 2"	0.2 bar	25,0	40,0	203,0	70
K- 07 30 27 98	G 2"	0.3 bar	25,0	40,0	203,0	70
K- 07 30 27 99	G 2"	0.4 bar	25,0	40,0	203,0	70
K- 07 30 28 00	G 2"	0.5 bar	25,0	40,0	203,0	70
K- 07 30 28 01	G 2"	0.6 bar	25,0	40,0	203,0	70
K- 07 30 28 02	G 2"	0.7 bar	25,0	40,0	203,0	70
K- 07 30 28 03	G 2"	0.8 bar	25,0	40,0	203,0	70
K- 07 30 28 04	G 2"	1.0 bar	25,0	40,0	203,0	70
K- 07 30 28 05	G 2"	1.2 bar	25,0	40,0	203,0	70
K- 07 30 28 06	G 2"	1.25 bar	25,0	40,0	203,0	70
K- 07 30 28 07	G 2"	1.3 bar	25,0	40,0	203,0	70
K- 07 30 28 08	G 2"	1.4 bar	25,0	40,0	203,0	70
K- 07 30 28 09	G 2"	1.5 bar	25,0	40,0	203,0	70
K- 07 30 28 10	G 2"	1.7 bar	25,0	40,0	203,0	70
K- 07 30 28 11	G 2"	1.8 bar	25,0	40,0	203,0	70
K- 07 30 28 15	G 2"	2.0 bar	25,0	40,0	203,0	70
K- 07 30 28 16	G 2"	2.1 bar	25,0	40,0	203,0	70
K- 07 30 28 17	G 2"	2.2 bar	25,0	40,0	203,0	70
K- 07 30 28 18	G 2"	2.5 bar	25,0	40,0	203,0	70
K- 07 30 28 20	G 2"	3.0 bar	25,0	40,0	203,0	70
K- 07 30 28 21	G 2"	4.0 bar	25,0	40,0	203,0	70
K- 07 30 28 22	G 2"	5.0 bar	25,0	40,0	203,0	70
K- 07 30 28 23	G 2"	6.0 bar	25,0	40,0	203,0	70
K- 07 30 28 24	G 2"	6.5 bar	25,0	40,0	203,0	70
K- 07 30 28 25	G 2"	7.0 bar	25,0	40,0	203,0	70
K- 07 30 28 26	G 2"	7.5 bar	25,0	40,0	203,0	70
K- 07 30 28 27	G 2"	8.0 bar	25,0	40,0	203,0	70
K- 07 30 28 28	G 2"	8.8 bar	25,0	40,0	203,0	70
K- 07 30 28 29	G 2"	9.0 bar	25,0	40,0	203,0	70
K- 07 30 28 30	G 2"	9.3 bar	25,0	40,0	203,0	70
K- 07 30 28 31	G 2"	9.5 bar	25,0	40,0	203,0	70
K- 07 30 28 12	G 2"	10.0 bar	25,0	40,0	203,0	70
K- 07 30 28 13	G 2"	11.0 bar	25,0	40,0	203,0	70
K- 07 30 28 14	G 2"	12.0 bar	25,0	40,0	203,0	70
K- 07 30 28 19	G 2"	25.0 bar	25,0	40,0	203,0	70