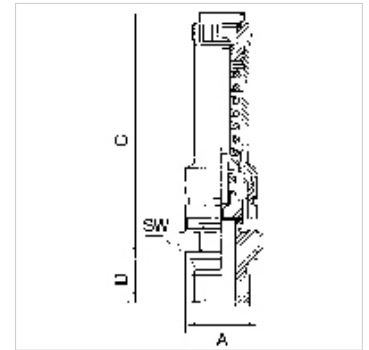


K-SHV DN8

Safety valves DN 8

Свойства

Работно налягане	see operating pressure
работна температура	-25 °C to +180 °C
уплътнения	FKM
притискаща пружина	Stainless steel
корпус	Brass
Други данни	User manual on request



Указание

G thread acc. to DIN EN ISO 228-1, with ISO flange plate (acc. to ISO 5211)

Описание

For compressed air and non-toxic, non-flammable gases, cannot be used for liquids due to free blow-off, not suitable for steam. These valves are TÜV approved and have a TÜV type test number.

Допълнителна информация

Important information: These valves are type-tested and are only allowed to be delivered with a fixed setting.

Артикул

Обозначение	Резба	Налягане на задействане	A (mm)	C (mm)	D (mm)	SW (mm)
K- 07 30 07 56	G 1/4"	0.2 bar	18,0	63,0	10,0	20
K- 07 30 07 57	G 1/4"	0.3 bar	18,0	63,0	10,0	20
K- 07 30 07 58	G 1/4"	0.35 bar	18,0	63,0	10,0	20
K- 07 30 07 59	G 1/4"	0.4 bar	18,0	63,0	10,0	20
K- 07 30 07 60	G 1/4"	0.45 bar	18,0	63,0	10,0	20
K- 07 30 07 61	G 1/4"	0.5 bar	18,0	63,0	10,0	20
K- 07 30 07 62	G 1/4"	0.6 bar	18,0	63,0	10,0	20
K- 07 30 07 63	G 1/4"	0.65 bar	18,0	63,0	10,0	20
K- 07 30 07 64	G 1/4"	0.7 bar	18,0	63,0	10,0	20
K- 07 30 07 65	G 1/4"	0.75 bar	18,0	63,0	10,0	20
K- 07 30 07 66	G 1/4"	0.8 bar	18,0	63,0	10,0	20
K- 07 30 07 67	G 1/4"	0.9 bar	18,0	63,0	10,0	20
K- 07 30 07 68	G 1/4"	1.0 bar	18,0	63,0	10,0	20
K- 07 30 07 69	G 1/4"	1.1 bar	18,0	63,0	10,0	20
K- 07 30 07 70	G 1/4"	1.2 bar	18,0	63,0	10,0	20
K- 07 30 07 71	G 1/4"	1.3 bar	18,0	63,0	10,0	20
K- 07 30 07 72	G 1/4"	1.4 bar	18,0	63,0	10,0	20
K- 07 30 07 73	G 1/4"	1.5 bar	18,0	63,0	10,0	20
K- 07 30 07 74	G 1/4"	1.6 bar	18,0	63,0	10,0	20
K- 07 30 07 75	G 1/4"	1.7 bar	18,0	63,0	10,0	20
K- 07 30 07 76	G 1/4"	1.75 bar	18,0	63,0	10,0	20
K- 07 30 07 77	G 1/4"	1.8 bar	18,0	63,0	10,0	20
K- 07 30 07 78	G 1/4"	1.9 bar	18,0	63,0	10,0	20
K- 07 30 08 13	G 1/4"	2.0 bar	18,0	63,0	10,0	20
K- 07 30 08 14	G 1/4"	2.1 bar	18,0	63,0	10,0	20
K- 07 30 08 15	G 1/4"	2.2 bar	18,0	63,0	10,0	20
K- 07 30 08 16	G 1/4"	2.3 bar	18,0	63,0	10,0	20
K- 07 30 08 17	G 1/4"	2.4 bar	18,0	63,0	10,0	20
K- 07 30 08 18	G 1/4"	2.5 bar	18,0	63,0	10,0	20
K- 07 30 08 19	G 1/4"	2.6 bar	18,0	63,0	10,0	20
K- 07 30 08 20	G 1/4"	2.7 bar	18,0	63,0	10,0	20
K- 07 30 08 21	G 1/4"	2.8 bar	18,0	63,0	10,0	20
K- 07 30 08 22	G 1/4"	2.9 bar	18,0	63,0	10,0	20
K- 07 30 08 47	G 1/4"	3.0 bar	18,0	63,0	10,0	20
K- 07 30 08 48	G 1/4"	3.1 bar	18,0	63,0	10,0	20
K- 07 30 08 49	G 1/4"	3.2 bar	18,0	63,0	10,0	20
K- 07 30 08 50	G 1/4"	3.3 bar	18,0	63,0	10,0	20



Артикул

Обозначение	Резба	Налягане на задействане	A (mm)	C (mm)	D (mm)	SW (mm)
K- 07 30 08 51	G 1/4"	3.4 bar	18,0	63,0	10,0	20
K- 07 30 08 52	G 1/4"	3.5 bar	18,0	63,0	10,0	20
K- 07 30 08 53	G 1/4"	3.6 bar	18,0	63,0	10,0	20
K- 07 30 08 54	G 1/4"	3.7 bar	18,0	63,0	10,0	20
K- 07 30 08 55	G 1/4"	3.8 bar	18,0	63,0	10,0	20
K- 07 30 08 56	G 1/4"	3.9 bar	18,0	63,0	10,0	20
K- 07 30 08 68	G 1/4"	4.0 bar	18,0	63,0	10,0	20
K- 07 30 08 69	G 1/4"	4.1 bar	18,0	63,0	10,0	20
K- 07 30 08 70	G 1/4"	4.2 bar	18,0	63,0	10,0	20
K- 07 30 08 71	G 1/4"	4.3 bar	18,0	63,0	10,0	20
K- 07 30 08 72	G 1/4"	4.4 bar	18,0	63,0	10,0	20
K- 07 30 08 73	G 1/4"	4.5 bar	18,0	63,0	10,0	20
K- 07 30 08 74	G 1/4"	4.6 bar	18,0	63,0	10,0	20
K- 07 30 08 75	G 1/4"	4.7 bar	18,0	63,0	10,0	20
K- 07 30 08 76	G 1/4"	4.8 bar	18,0	63,0	10,0	20
K- 07 30 08 77	G 1/4"	4.9 bar	18,0	63,0	10,0	20
K- 07 30 08 90	G 1/4"	5.0 bar	18,0	63,0	10,0	20
K- 07 30 08 91	G 1/4"	5.1 bar	18,0	63,0	10,0	20
K- 07 30 08 92	G 1/4"	5.2 bar	18,0	63,0	10,0	20
K- 07 30 08 93	G 1/4"	5.3 bar	18,0	63,0	10,0	20
K- 07 30 08 94	G 1/4"	5.5 bar	18,0	63,0	10,0	20
K- 07 30 08 95	G 1/4"	5.6 bar	18,0	63,0	10,0	20
K- 07 30 08 96	G 1/4"	5.7 bar	18,0	63,0	10,0	20
K- 07 30 08 97	G 1/4"	5.8 bar	18,0	63,0	10,0	20
K- 07 30 08 99	G 1/4"	6.0 bar	18,0	63,0	10,0	20
K- 07 30 09 00	G 1/4"	6.1 bar	18,0	63,0	10,0	20
K- 07 30 09 01	G 1/4"	6.2 bar	18,0	63,0	10,0	20
K- 07 30 09 02	G 1/4"	6.3 bar	18,0	63,0	10,0	20
K- 07 30 09 03	G 1/4"	6.5 bar	18,0	63,0	10,0	20
K- 07 30 09 04	G 1/4"	6.6 bar	18,0	63,0	10,0	20
K- 07 30 09 05	G 1/4"	6.7 bar	18,0	63,0	10,0	20
K- 07 30 09 06	G 1/4"	6.8 bar	18,0	63,0	10,0	20
K- 07 30 09 07	G 1/4"	7.0 bar	18,0	63,0	10,0	20
K- 07 30 09 08	G 1/4"	7.1 bar	18,0	63,0	10,0	20
K- 07 30 09 09	G 1/4"	7.2 bar	18,0	63,0	10,0	20
K- 07 30 09 10	G 1/4"	7.3 bar	18,0	63,0	10,0	20
K- 07 30 09 11	G 1/4"	7.4 bar	18,0	63,0	10,0	20
K- 07 30 09 12	G 1/4"	7.5 bar	18,0	63,0	10,0	20
K- 07 30 09 13	G 1/4"	7.6 bar	18,0	63,0	10,0	20
K- 07 30 09 14	G 1/4"	7.7 bar	18,0	63,0	10,0	20
K- 07 30 09 15	G 1/4"	7.8 bar	18,0	63,0	10,0	20
K- 07 30 09 16	G 1/4"	8.0 bar	18,0	63,0	10,0	20
K- 07 30 09 17	G 1/4"	8.1 bar	18,0	63,0	10,0	20
K- 07 30 09 18	G 1/4"	8.3 bar	18,0	63,0	10,0	20
K- 07 30 09 19	G 1/4"	8.4 bar	18,0	63,0	10,0	20
K- 07 30 09 20	G 1/4"	8.5 bar	18,0	63,0	10,0	20
K- 07 30 09 21	G 1/4"	8.8 bar	18,0	63,0	10,0	20
K- 07 30 09 22	G 1/4"	8.9 bar	18,0	63,0	10,0	20
K- 07 30 09 23	G 1/4"	9.0 bar	18,0	63,0	10,0	20
K- 07 30 09 24	G 1/4"	9.1 bar	18,0	63,0	10,0	20
K- 07 30 09 25	G 1/4"	9.2 bar	18,0	63,0	10,0	20
K- 07 30 09 26	G 1/4"	9.3 bar	18,0	63,0	10,0	20
K- 07 30 09 27	G 1/4"	9.4 bar	18,0	63,0	10,0	20
K- 07 30 09 28	G 1/4"	9.5 bar	18,0	63,0	10,0	20
K- 07 30 09 29	G 1/4"	9.6 bar	18,0	63,0	10,0	20
K- 07 30 09 30	G 1/4"	9.7 bar	18,0	63,0	10,0	20
K- 07 30 09 31	G 1/4"	9.8 bar	18,0	63,0	10,0	20
K- 07 30 07 79	G 1/4"	10.0 bar	18,0	63,0	10,0	20
K- 07 30 07 80	G 1/4"	10.2 bar	18,0	63,0	10,0	20
K- 07 30 07 81	G 1/4"	10.3 bar	18,0	63,0	10,0	20
K- 07 30 07 82	G 1/4"	10.5 bar	18,0	63,0	10,0	20
K- 07 30 07 83	G 1/4"	10.8 bar	18,0	63,0	10,0	20
K- 07 30 07 84	G 1/4"	11.0 bar	18,0	63,0	10,0	20



Артикул

Обозначение	Резба	Налягане на задействане	A (mm)	C (mm)	D (mm)	SW (mm)
K- 07 30 07 85	G 1/4"	11.3 bar	18,0	63,0	10,0	20
K- 07 30 07 86	G 1/4"	11.4 bar	18,0	63,0	10,0	20
K- 07 30 07 87	G 1/4"	11.5 bar	18,0	63,0	10,0	20
K- 07 30 07 88	G 1/4"	12.0 bar	18,0	63,0	10,0	20
K- 07 30 07 89	G 1/4"	12.1 bar	18,0	63,0	10,0	20
K- 07 30 07 90	G 1/4"	12.2 bar	18,0	63,0	10,0	20
K- 07 30 07 91	G 1/4"	12.3 bar	18,0	63,0	10,0	20
K- 07 30 07 92	G 1/4"	12.5 bar	18,0	63,0	10,0	20
K- 07 30 07 93	G 1/4"	13.0 bar	18,0	63,0	10,0	20
K- 07 30 07 94	G 1/4"	13.3 bar	18,0	63,0	10,0	20
K- 07 30 07 95	G 1/4"	13.5 bar	18,0	63,0	10,0	20
K- 07 30 07 96	G 1/4"	14.0 bar	18,0	63,0	10,0	20
K- 07 30 07 97	G 1/4"	14.2 bar	18,0	63,0	10,0	20
K- 07 30 07 98	G 1/4"	14.3 bar	18,0	75,0	10,0	20
K- 07 30 07 99	G 1/4"	14.5 bar	18,0	75,0	10,0	20
K- 07 30 08 00	G 1/4"	15.0 bar	18,0	75,0	10,0	20
K- 07 30 08 01	G 1/4"	15.2 bar	18,0	75,0	10,0	20
K- 07 30 08 02	G 1/4"	15.5 bar	18,0	75,0	10,0	20
K- 07 30 08 03	G 1/4"	15.7 bar	18,0	75,0	10,0	20
K- 07 30 08 04	G 1/4"	16.0 bar	18,0	75,0	10,0	20
K- 07 30 08 05	G 1/4"	16.5 bar	18,0	75,0	10,0	20
K- 07 30 08 06	G 1/4"	17.0 bar	18,0	75,0	10,0	20
K- 07 30 08 07	G 1/4"	17.5 bar	18,0	75,0	10,0	20
K- 07 30 08 08	G 1/4"	18.0 bar	18,0	75,0	10,0	20
K- 07 30 08 09	G 1/4"	18.5 bar	18,0	75,0	10,0	20
K- 07 30 08 10	G 1/4"	19.0 bar	18,0	75,0	10,0	20
K- 07 30 08 11	G 1/4"	19.4 bar	18,0	75,0	10,0	20
K- 07 30 08 12	G 1/4"	19.7 bar	18,0	75,0	10,0	20
K- 07 30 08 23	G 1/4"	20.0 bar	18,0	75,0	10,0	20
K- 07 30 08 24	G 1/4"	20.5 bar	18,0	75,0	10,0	20
K- 07 30 08 25	G 1/4"	21.0 bar	18,0	75,0	10,0	20
K- 07 30 08 26	G 1/4"	21.5 bar	18,0	75,0	10,0	20
K- 07 30 08 27	G 1/4"	22.0 bar	18,0	75,0	10,0	20
K- 07 30 08 28	G 1/4"	22.1 bar	18,0	75,0	10,0	20
K- 07 30 08 29	G 1/4"	22.5 bar	18,0	75,0	10,0	20
K- 07 30 08 30	G 1/4"	22.7 bar	18,0	75,0	10,0	20
K- 07 30 08 31	G 1/4"	22.8 bar	18,0	75,0	10,0	20
K- 07 30 08 32	G 1/4"	23.0 bar	18,0	75,0	10,0	20
K- 07 30 08 33	G 1/4"	23.4 bar	18,0	75,0	10,0	20
K- 07 30 08 34	G 1/4"	23.5 bar	18,0	75,0	10,0	20
K- 07 30 08 35	G 1/4"	24.0 bar	18,0	75,0	10,0	20
K- 07 30 08 36	G 1/4"	25.0 bar	18,0	75,0	10,0	20
K- 07 30 08 37	G 1/4"	25.5 bar	18,0	75,0	10,0	20
K- 07 30 08 38	G 1/4"	26.0 bar	18,0	75,0	10,0	20
K- 07 30 08 39	G 1/4"	26.5 bar	18,0	75,0	10,0	20
K- 07 30 08 40	G 1/4"	27.0 bar	18,0	75,0	10,0	20
K- 07 30 08 41	G 1/4"	27.5 bar	18,0	75,0	10,0	20
K- 07 30 08 42	G 1/4"	27.9 bar	18,0	75,0	10,0	20
K- 07 30 08 43	G 1/4"	28.0 bar	18,0	75,0	10,0	20
K- 07 30 08 44	G 1/4"	28.5 bar	18,0	75,0	10,0	20
K- 07 30 08 45	G 1/4"	29.0 bar	18,0	75,0	10,0	20
K- 07 30 08 46	G 1/4"	29.5 bar	18,0	75,0	10,0	20
K- 07 30 08 57	G 1/4"	30.0 bar	18,0	75,0	10,0	20
K- 07 30 08 58	G 1/4"	31.0 bar	18,0	75,0	10,0	20
K- 07 30 08 59	G 1/4"	32.0 bar	18,0	75,0	10,0	20
K- 07 30 08 60	G 1/4"	33.0 bar	18,0	75,0	10,0	20
K- 07 30 08 61	G 1/4"	33.5 bar	18,0	75,0	10,0	20
K- 07 30 08 62	G 1/4"	34.0 bar	18,0	75,0	10,0	20
K- 07 30 08 63	G 1/4"	35.0 bar	18,0	75,0	10,0	20
K- 07 30 08 64	G 1/4"	36.0 bar	18,0	75,0	10,0	20
K- 07 30 08 65	G 1/4"	37.5 bar	18,0	75,0	10,0	20
K- 07 30 08 66	G 1/4"	38.0 bar	18,0	75,0	10,0	20
K- 07 30 08 67	G 1/4"	38.5 bar	18,0	75,0	10,0	20



Артикул

Обозначение	Резба	Налягане на задействане	A (mm)	C (mm)	D (mm)	SW (mm)
K- 07 30 08 78	G 1/4"	40.0 bar	18,0	75,0	10,0	20
K- 07 30 08 79	G 1/4"	41.0 bar	18,0	82,0	10,0	20
K- 07 30 08 80	G 1/4"	42.0 bar	18,0	82,0	10,0	20
K- 07 30 08 81	G 1/4"	43.0 bar	18,0	82,0	10,0	20
K- 07 30 08 82	G 1/4"	43.4 bar	18,0	82,0	10,0	20
K- 07 30 08 83	G 1/4"	43.5 bar	18,0	82,0	10,0	20
K- 07 30 08 84	G 1/4"	44.0 bar	18,0	82,0	10,0	20
K- 07 30 08 85	G 1/4"	44.8 bar	18,0	82,0	10,0	20
K- 07 30 08 86	G 1/4"	45.0 bar	18,0	82,0	10,0	20
K- 07 30 08 87	G 1/4"	47.0 bar	18,0	82,0	10,0	20
K- 07 30 08 88	G 1/4"	47.5 bar	18,0	82,0	10,0	20
K- 07 30 08 89	G 1/4"	48.0 bar	18,0	82,0	10,0	20
K- 07 30 08 98	G 1/4"	50.0 bar	18,0	82,0	10,0	20
K- 07 30 09 32	G 3/8"	0.2 bar	20,0	63,0	12,0	20
K- 07 30 09 33	G 3/8"	0.3 bar	20,0	63,0	12,0	20
K- 07 30 09 34	G 3/8"	0.35 bar	20,0	63,0	12,0	20
K- 07 30 09 35	G 3/8"	0.4 bar	20,0	63,0	12,0	20
K- 07 30 09 36	G 3/8"	0.5 bar	20,0	63,0	12,0	20
K- 07 30 09 37	G 3/8"	0.6 bar	20,0	63,0	12,0	20
K- 07 30 09 38	G 3/8"	0.65 bar	20,0	63,0	12,0	20
K- 07 30 09 39	G 3/8"	0.7 bar	20,0	63,0	12,0	20
K- 07 30 09 40	G 3/8"	0.8 bar	20,0	63,0	12,0	20
K- 07 30 09 41	G 3/8"	0.9 bar	20,0	63,0	12,0	20
K- 07 30 09 42	G 3/8"	1.0 bar	20,0	63,0	12,0	20
K- 07 30 09 43	G 3/8"	1.1 bar	20,0	63,0	12,0	20
K- 07 30 09 44	G 3/8"	1.2 bar	20,0	63,0	12,0	20
K- 07 30 09 45	G 3/8"	1.3 bar	20,0	63,0	12,0	20
K- 07 30 09 46	G 3/8"	1.4 bar	20,0	63,0	12,0	20
K- 07 30 09 47	G 3/8"	1.5 bar	20,0	63,0	12,0	20
K- 07 30 09 48	G 3/8"	1.6 bar	20,0	63,0	12,0	20
K- 07 30 09 49	G 3/8"	1.7 bar	20,0	63,0	12,0	20
K- 07 30 09 50	G 3/8"	1.8 bar	20,0	63,0	12,0	20
K- 07 30 09 51	G 3/8"	1.9 bar	20,0	63,0	12,0	20
K- 07 30 09 85	G 3/8"	2.0 bar	20,0	63,0	12,0	20
K- 07 30 09 86	G 3/8"	2.1 bar	20,0	63,0	12,0	20
K- 07 30 09 87	G 3/8"	2.2 bar	20,0	63,0	12,0	20
K- 07 30 09 88	G 3/8"	2.3 bar	20,0	63,0	12,0	20
K- 07 30 09 89	G 3/8"	2.5 bar	20,0	63,0	12,0	20
K- 07 30 09 90	G 3/8"	2.6 bar	20,0	63,0	12,0	20
K- 07 30 09 91	G 3/8"	2.7 bar	20,0	63,0	12,0	20
K- 07 30 09 92	G 3/8"	2.8 bar	20,0	63,0	12,0	20
K- 07 30 09 93	G 3/8"	2.9 bar	20,0	63,0	12,0	20
K- 07 30 10 13	G 3/8"	3.0 bar	20,0	63,0	12,0	20
K- 07 30 10 14	G 3/8"	3.3 bar	20,0	63,0	12,0	20
K- 07 30 10 15	G 3/8"	3.5 bar	20,0	63,0	12,0	20
K- 07 30 10 16	G 3/8"	3.6 bar	20,0	63,0	12,0	20
K- 07 30 10 17	G 3/8"	3.7 bar	20,0	63,0	12,0	20
K- 07 30 10 18	G 3/8"	3.8 bar	20,0	63,0	12,0	20
K- 07 30 10 36	G 3/8"	4.0 bar	20,0	63,0	12,0	20
K- 07 30 10 37	G 3/8"	4.4 bar	20,0	63,0	12,0	20
K- 07 30 10 38	G 3/8"	4.5 bar	20,0	63,0	12,0	20
K- 07 30 10 39	G 3/8"	4.6 bar	20,0	63,0	12,0	20
K- 07 30 10 40	G 3/8"	4.7 bar	20,0	63,0	12,0	20
K- 07 30 10 41	G 3/8"	4.8 bar	20,0	63,0	12,0	20
K- 07 30 10 42	G 3/8"	4.9 bar	20,0	63,0	12,0	20
K- 07 30 10 51	G 3/8"	5.0 bar	20,0	63,0	12,0	20
K- 07 30 10 52	G 3/8"	5.3 bar	20,0	63,0	12,0	20
K- 07 30 10 53	G 3/8"	5.4 bar	20,0	63,0	12,0	20
K- 07 30 10 54	G 3/8"	5.5 bar	20,0	63,0	12,0	20
K- 07 30 10 55	G 3/8"	5.6 bar	20,0	63,0	12,0	20
K- 07 30 10 56	G 3/8"	5.8 bar	20,0	63,0	12,0	20
K- 07 30 10 58	G 3/8"	6.0 bar	20,0	63,0	12,0	20
K- 07 30 10 59	G 3/8"	6.1 bar	20,0	63,0	12,0	20



Артикул

Обозначение	Резба	Налягане на задействане	A (mm)	C (mm)	D (mm)	SW (mm)
K- 07 30 10 60	G 3/8"	6.2 bar	20,0	63,0	12,0	20
K- 07 30 10 61	G 3/8"	6.3 bar	20,0	63,0	12,0	20
K- 07 30 10 62	G 3/8"	6.4 bar	20,0	63,0	12,0	20
K- 07 30 10 63	G 3/8"	6.5 bar	20,0	63,0	12,0	20
K- 07 30 10 64	G 3/8"	6.6 bar	20,0	63,0	12,0	20
K- 07 30 10 65	G 3/8"	6.9 bar	20,0	63,0	12,0	20
K- 07 30 10 66	G 3/8"	7.0 bar	20,0	63,0	12,0	20
K- 07 30 10 67	G 3/8"	7.1 bar	20,0	63,0	12,0	20
K- 07 30 10 68	G 3/8"	7.5 bar	20,0	63,0	12,0	20
K- 07 30 10 69	G 3/8"	7.7 bar	20,0	63,0	12,0	20
K- 07 30 10 70	G 3/8"	7.9 bar	20,0	63,0	12,0	20
K- 07 30 10 71	G 3/8"	8.0 bar	20,0	63,0	12,0	20
K- 07 30 10 72	G 3/8"	8.1 bar	20,0	63,0	12,0	20
K- 07 30 10 73	G 3/8"	8.2 bar	20,0	63,0	12,0	20
K- 07 30 10 74	G 3/8"	8.3 bar	20,0	63,0	12,0	20
K- 07 30 10 75	G 3/8"	8.5 bar	20,0	63,0	12,0	20
K- 07 30 10 76	G 3/8"	8.6 bar	20,0	63,0	12,0	20
K- 07 30 10 77	G 3/8"	8.8 bar	20,0	63,0	12,0	20
K- 07 30 10 78	G 3/8"	9.0 bar	20,0	63,0	12,0	20
K- 07 30 10 79	G 3/8"	9.3 bar	20,0	63,0	12,0	20
K- 07 30 10 80	G 3/8"	9.4 bar	20,0	63,0	12,0	20
K- 07 30 10 81	G 3/8"	9.5 bar	20,0	63,0	12,0	20
K- 07 30 10 82	G 3/8"	9.9 bar	20,0	63,0	12,0	20
K- 07 30 09 52	G 3/8"	10.0 bar	20,0	63,0	12,0	20
K- 07 30 09 53	G 3/8"	10.1 bar	20,0	63,0	12,0	20
K- 07 30 09 54	G 3/8"	10.2 bar	20,0	63,0	12,0	20
K- 07 30 09 55	G 3/8"	10.3 bar	20,0	63,0	12,0	20
K- 07 30 09 56	G 3/8"	10.5 bar	20,0	63,0	12,0	20
K- 07 30 09 57	G 3/8"	10.8 bar	20,0	63,0	12,0	20
K- 07 30 09 58	G 3/8"	11.0 bar	20,0	63,0	12,0	20
K- 07 30 09 59	G 3/8"	11.2 bar	20,0	63,0	12,0	20
K- 07 30 09 60	G 3/8"	11.5 bar	20,0	63,0	12,0	20
K- 07 30 09 61	G 3/8"	11.76 bar	20,0	63,0	12,0	20
K- 07 30 09 62	G 3/8"	12.0 bar	20,0	63,0	12,0	20
K- 07 30 09 63	G 3/8"	12.2 bar	20,0	63,0	12,0	20
K- 07 30 09 64	G 3/8"	12.4 bar	20,0	63,0	12,0	20
K- 07 30 09 65	G 3/8"	12.5 bar	20,0	63,0	12,0	20
K- 07 30 09 66	G 3/8"	13.0 bar	20,0	63,0	12,0	20
K- 07 30 09 67	G 3/8"	14.0 bar	20,0	63,0	12,0	20
K- 07 30 09 68	G 3/8"	14.2 bar	20,0	63,0	12,0	20
K- 07 30 09 69	G 3/8"	14.3 bar	20,0	75,0	12,0	20
K- 07 30 09 70	G 3/8"	14.5 bar	20,0	75,0	12,0	20
K- 07 30 09 71	G 3/8"	15.0 bar	20,0	75,0	12,0	20
K- 07 30 09 72	G 3/8"	15.1 bar	20,0	75,0	12,0	20
K- 07 30 09 73	G 3/8"	15.2 bar	20,0	75,0	12,0	20
K- 07 30 09 74	G 3/8"	15.3 bar	20,0	75,0	12,0	20
K- 07 30 09 75	G 3/8"	15.4 bar	20,0	75,0	12,0	20
K- 07 30 09 76	G 3/8"	15.5 bar	20,0	75,0	12,0	20
K- 07 30 09 77	G 3/8"	16.0 bar	20,0	75,0	12,0	20
K- 07 30 09 78	G 3/8"	16.5 bar	20,0	75,0	12,0	20
K- 07 30 09 79	G 3/8"	16.9 bar	20,0	75,0	12,0	20
K- 07 30 09 80	G 3/8"	17.0 bar	20,0	75,0	12,0	20
K- 07 30 09 81	G 3/8"	17.5 bar	20,0	75,0	12,0	20
K- 07 30 09 82	G 3/8"	18.0 bar	20,0	75,0	12,0	20
K- 07 30 09 83	G 3/8"	19.0 bar	20,0	75,0	12,0	20
K- 07 30 09 84	G 3/8"	19.7 bar	20,0	75,0	12,0	20
K- 07 30 09 94	G 3/8"	20.0 bar	20,0	75,0	12,0	20
K- 07 30 09 95	G 3/8"	20.5 bar	20,0	75,0	12,0	20
K- 07 30 09 96	G 3/8"	21.0 bar	20,0	75,0	12,0	20
K- 07 30 09 97	G 3/8"	22.0 bar	20,0	75,0	12,0	20
K- 07 30 09 98	G 3/8"	22.5 bar	20,0	75,0	12,0	20
K- 07 30 09 99	G 3/8"	23.0 bar	20,0	75,0	12,0	20
K- 07 30 10 00	G 3/8"	23.1 bar	20,0	75,0	12,0	20



Артикул

Обозначение	Резба	Налягане на задействане	A (mm)	C (mm)	D (mm)	SW (mm)
K- 07 30 10 01	G 3/8"	23.5 bar	20,0	75,0	12,0	20
K- 07 30 10 02	G 3/8"	24.0 bar	20,0	75,0	12,0	20
K- 07 30 10 03	G 3/8"	24.5 bar	20,0	75,0	12,0	20
K- 07 30 10 04	G 3/8"	25.0 bar	20,0	75,0	12,0	20
K- 07 30 10 05	G 3/8"	25.5 bar	20,0	75,0	12,0	20
K- 07 30 10 06	G 3/8"	26.0 bar	20,0	75,0	12,0	20
K- 07 30 10 07	G 3/8"	26.5 bar	20,0	75,0	12,0	20
K- 07 30 10 08	G 3/8"	27.0 bar	20,0	75,0	12,0	20
K- 07 30 10 09	G 3/8"	27.5 bar	20,0	75,0	12,0	20
K- 07 30 10 10	G 3/8"	28.0 bar	20,0	75,0	12,0	20
K- 07 30 10 11	G 3/8"	29.0 bar	20,0	75,0	12,0	20
K- 07 30 10 12	G 3/8"	29.4 bar	20,0	75,0	12,0	20
K- 07 30 10 19	G 3/8"	30.0 bar	20,0	75,0	12,0	20
K- 07 30 10 20	G 3/8"	30.5 bar	20,0	75,0	12,0	20
K- 07 30 10 21	G 3/8"	31.0 bar	20,0	75,0	12,0	20
K- 07 30 10 22	G 3/8"	32.0 bar	20,0	75,0	12,0	20
K- 07 30 10 23	G 3/8"	33.0 bar	20,0	75,0	12,0	20
K- 07 30 10 24	G 3/8"	33.5 bar	20,0	75,0	12,0	20
K- 07 30 10 25	G 3/8"	34.5 bar	20,0	75,0	12,0	20
K- 07 30 10 26	G 3/8"	35.0 bar	20,0	75,0	12,0	20
K- 07 30 10 27	G 3/8"	35.5 bar	20,0	75,0	12,0	20
K- 07 30 10 28	G 3/8"	36.0 bar	20,0	75,0	12,0	20
K- 07 30 10 29	G 3/8"	36.5 bar	20,0	75,0	12,0	20
K- 07 30 10 30	G 3/8"	37.0 bar	20,0	75,0	12,0	20
K- 07 30 10 31	G 3/8"	37.5 bar	20,0	75,0	12,0	20
K- 07 30 10 32	G 3/8"	38.0 bar	20,0	75,0	12,0	20
K- 07 30 10 33	G 3/8"	38.5 bar	20,0	75,0	12,0	20
K- 07 30 10 34	G 3/8"	39.0 bar	20,0	75,0	12,0	20
K- 07 30 10 35	G 3/8"	39.5 bar	20,0	75,0	12,0	20
K- 07 30 10 43	G 3/8"	40.0 bar	20,0	75,0	12,0	20
K- 07 30 10 44	G 3/8"	40.5 bar	20,0	82,0	12,0	20
K- 07 30 10 45	G 3/8"	41.0 bar	20,0	82,0	12,0	20
K- 07 30 10 46	G 3/8"	41.5 bar	20,0	82,0	12,0	20
K- 07 30 10 47	G 3/8"	43.0 bar	20,0	82,0	12,0	20
K- 07 30 10 48	G 3/8"	44.0 bar	20,0	82,0	12,0	20
K- 07 30 10 49	G 3/8"	45.0 bar	20,0	82,0	12,0	20
K- 07 30 10 50	G 3/8"	47.0 bar	20,0	82,0	12,0	20
K- 07 30 10 57	G 3/8"	50.0 bar	20,0	82,0	12,0	20
K- 07 30 10 83	G 1/2"	0.2 bar	24,0	63,0	14,0	24
K- 07 30 10 84	G 1/2"	0.25 bar	24,0	63,0	14,0	24
K- 07 30 10 85	G 1/2"	0.3 bar	24,0	63,0	14,0	24
K- 07 30 10 86	G 1/2"	0.35 bar	24,0	63,0	14,0	24
K- 07 30 10 87	G 1/2"	0.38 bar	24,0	63,0	14,0	24
K- 07 30 10 88	G 1/2"	0.4 bar	24,0	63,0	14,0	24
K- 07 30 10 89	G 1/2"	0.5 bar	24,0	63,0	14,0	24
K- 07 30 10 90	G 1/2"	0.6 bar	24,0	63,0	14,0	24
K- 07 30 10 91	G 1/2"	0.7 bar	24,0	63,0	14,0	24
K- 07 30 10 92	G 1/2"	0.8 bar	24,0	63,0	14,0	24
K- 07 30 10 93	G 1/2"	0.83 bar	24,0	63,0	14,0	24
K- 07 30 10 94	G 1/2"	0.9 bar	24,0	63,0	14,0	24
K- 07 30 10 95	G 1/2"	1.0 bar	24,0	63,0	14,0	24
K- 07 30 10 96	G 1/2"	1.1 bar	24,0	63,0	14,0	24
K- 07 30 10 97	G 1/2"	1.2 bar	24,0	63,0	14,0	24
K- 07 30 10 98	G 1/2"	1.3 bar	24,0	63,0	14,0	24
K- 07 30 10 99	G 1/2"	1.4 bar	24,0	63,0	14,0	24
K- 07 30 11 00	G 1/2"	1.5 bar	24,0	63,0	14,0	24
K- 07 30 11 01	G 1/2"	1.6 bar	24,0	63,0	14,0	24
K- 07 30 11 02	G 1/2"	1.7 bar	24,0	63,0	14,0	24
K- 07 30 11 03	G 1/2"	1.8 bar	24,0	63,0	14,0	24
K- 07 30 11 04	G 1/2"	1.9 bar	24,0	63,0	14,0	24
K- 07 30 11 39	G 1/2"	2.0 bar	24,0	63,0	14,0	24
K- 07 30 11 40	G 1/2"	2.1 bar	24,0	63,0	14,0	24
K- 07 30 11 41	G 1/2"	2.2 bar	24,0	63,0	14,0	24



Артикул

Обозначение	Резба	Налягане на задействане	A (mm)	C (mm)	D (mm)	SW (mm)
K- 07 30 11 42	G 1/2"	2.3 bar	24,0	63,0	14,0	24
K- 07 30 11 43	G 1/2"	2.5 bar	24,0	63,0	14,0	24
K- 07 30 11 44	G 1/2"	2.6 bar	24,0	63,0	14,0	24
K- 07 30 11 45	G 1/2"	2.7 bar	24,0	63,0	14,0	24
K- 07 30 11 46	G 1/2"	2.8 bar	24,0	63,0	14,0	24
K- 07 30 11 62	G 1/2"	3.0 bar	24,0	63,0	14,0	24
K- 07 30 11 63	G 1/2"	3.2 bar	24,0	63,0	14,0	24
K- 07 30 11 64	G 1/2"	3.3 bar	24,0	63,0	14,0	24
K- 07 30 11 65	G 1/2"	3.5 bar	24,0	63,0	14,0	24
K- 07 30 11 66	G 1/2"	3.6 bar	24,0	63,0	14,0	24
K- 07 30 11 67	G 1/2"	3.7 bar	24,0	63,0	14,0	24
K- 07 30 11 68	G 1/2"	3.8 bar	24,0	63,0	14,0	24
K- 07 30 11 69	G 1/2"	3.9 bar	24,0	63,0	14,0	24
K- 07 30 11 82	G 1/2"	4.0 bar	24,0	63,0	14,0	24
K- 07 30 11 83	G 1/2"	4.2 bar	24,0	63,0	14,0	24
K- 07 30 11 84	G 1/2"	4.3 bar	24,0	63,0	14,0	24
K- 07 30 11 85	G 1/2"	4.5 bar	24,0	63,0	14,0	24
K- 07 30 11 86	G 1/2"	4.6 bar	24,0	63,0	14,0	24
K- 07 30 11 87	G 1/2"	4.8 bar	24,0	63,0	14,0	24
K- 07 30 11 88	G 1/2"	4.9 bar	24,0	63,0	14,0	24
K- 07 30 11 96	G 1/2"	5.0 bar	24,0	63,0	14,0	24
K- 07 30 11 97	G 1/2"	5.2 bar	24,0	63,0	14,0	24
K- 07 30 11 98	G 1/2"	5.3 bar	24,0	63,0	14,0	24
K- 07 30 11 99	G 1/2"	5.4 bar	24,0	63,0	14,0	24
K- 07 30 12 00	G 1/2"	5.5 bar	24,0	63,0	14,0	24
K- 07 30 12 01	G 1/2"	5.6 bar	24,0	63,0	14,0	24
K- 07 30 12 02	G 1/2"	5.8 bar	24,0	63,0	14,0	24
K- 07 30 12 03	G 1/2"	5.9 bar	24,0	63,0	14,0	24
K- 07 30 12 05	G 1/2"	6.0 bar	24,0	63,0	14,0	24
K- 07 30 12 06	G 1/2"	6.2 bar	24,0	63,0	14,0	24
K- 07 30 12 07	G 1/2"	6.3 bar	24,0	63,0	14,0	24
K- 07 30 12 08	G 1/2"	6.4 bar	24,0	63,0	14,0	24
K- 07 30 12 09	G 1/2"	6.5 bar	24,0	63,0	14,0	24
K- 07 30 12 10	G 1/2"	6.6 bar	24,0	63,0	14,0	24
K- 07 30 12 11	G 1/2"	6.8 bar	24,0	63,0	14,0	24
K- 07 30 12 12	G 1/2"	7.0 bar	24,0	63,0	14,0	24
K- 07 30 12 13	G 1/2"	7.2 bar	24,0	63,0	14,0	24
K- 07 30 12 14	G 1/2"	7.4 bar	24,0	63,0	14,0	24
K- 07 30 12 15	G 1/2"	7.5 bar	24,0	63,0	14,0	24
K- 07 30 12 16	G 1/2"	7.6 bar	24,0	63,0	14,0	24
K- 07 30 12 17	G 1/2"	7.7 bar	24,0	63,0	14,0	24
K- 07 30 12 18	G 1/2"	8.0 bar	24,0	63,0	14,0	24
K- 07 30 12 19	G 1/2"	8.1 bar	24,0	63,0	14,0	24
K- 07 30 12 20	G 1/2"	8.3 bar	24,0	63,0	14,0	24
K- 07 30 12 21	G 1/2"	8.4 bar	24,0	63,0	14,0	24
K- 07 30 12 22	G 1/2"	8.5 bar	24,0	63,0	14,0	24
K- 07 30 12 23	G 1/2"	8.6 bar	24,0	63,0	14,0	24
K- 07 30 12 24	G 1/2"	8.7 bar	24,0	63,0	14,0	24
K- 07 30 12 25	G 1/2"	8.8 bar	24,0	63,0	14,0	24
K- 07 30 12 26	G 1/2"	9.0 bar	24,0	63,0	14,0	24
K- 07 30 12 27	G 1/2"	9.3 bar	24,0	63,0	14,0	24
K- 07 30 12 28	G 1/2"	9.5 bar	24,0	63,0	14,0	24
K- 07 30 12 29	G 1/2"	9.6 bar	24,0	63,0	14,0	24
K- 07 30 12 30	G 1/2"	9.8 bar	24,0	63,0	14,0	24
K- 07 30 12 31	G 1/2"	9.9 bar	24,0	63,0	14,0	24
K- 07 30 11 05	G 1/2"	10.0 bar	24,0	63,0	14,0	24
K- 07 30 11 06	G 1/2"	10.1 bar	24,0	63,0	14,0	24
K- 07 30 11 07	G 1/2"	10.2 bar	24,0	63,0	14,0	24
K- 07 30 11 08	G 1/2"	10.3 bar	24,0	63,0	14,0	24
K- 07 30 11 09	G 1/2"	10.5 bar	24,0	63,0	14,0	24
K- 07 30 11 10	G 1/2"	10.7 bar	24,0	63,0	14,0	24
K- 07 30 11 11	G 1/2"	10.8 bar	24,0	63,0	14,0	24
K- 07 30 11 12	G 1/2"	11.0 bar	24,0	63,0	14,0	24



Артикул

Обозначение	Резба	Налягане на задействане	A (mm)	C (mm)	D (mm)	SW (mm)
K- 07 30 11 13	G 1/2"	11.5 bar	24,0	63,0	14,0	24
K- 07 30 11 14	G 1/2"	12.0 bar	24,0	63,0	14,0	24
K- 07 30 11 15	G 1/2"	12.5 bar	24,0	63,0	14,0	24
K- 07 30 11 16	G 1/2"	13.0 bar	24,0	63,0	14,0	24
K- 07 30 11 17	G 1/2"	13.2 bar	24,0	63,0	14,0	24
K- 07 30 11 18	G 1/2"	13.5 bar	24,0	63,0	14,0	24
K- 07 30 11 19	G 1/2"	14.0 bar	24,0	63,0	14,0	24
K- 07 30 11 20	G 1/2"	14.2 bar	24,0	63,0	14,0	24
K- 07 30 11 21	G 1/2"	14.3 bar	24,0	75,0	14,0	24
K- 07 30 11 22	G 1/2"	15.0 bar	24,0	75,0	14,0	24
K- 07 30 11 23	G 1/2"	15.1 bar	24,0	75,0	14,0	24
K- 07 30 11 24	G 1/2"	15.2 bar	24,0	75,0	14,0	24
K- 07 30 11 25	G 1/2"	15.4 bar	24,0	75,0	14,0	24
K- 07 30 11 26	G 1/2"	15.5 bar	24,0	75,0	14,0	24
K- 07 30 11 27	G 1/2"	16.0 bar	24,0	75,0	14,0	24
K- 07 30 11 28	G 1/2"	16.5 bar	24,0	75,0	14,0	24
K- 07 30 11 29	G 1/2"	16.8 bar	24,0	75,0	14,0	24
K- 07 30 11 30	G 1/2"	16.9 bar	24,0	75,0	14,0	24
K- 07 30 11 31	G 1/2"	17.0 bar	24,0	75,0	14,0	24
K- 07 30 11 32	G 1/2"	17.1 bar	24,0	75,0	14,0	24
K- 07 30 11 33	G 1/2"	17.5 bar	24,0	75,0	14,0	24
K- 07 30 11 34	G 1/2"	18.0 bar	24,0	75,0	14,0	24
K- 07 30 11 35	G 1/2"	18.5 bar	24,0	75,0	14,0	24
K- 07 30 11 36	G 1/2"	19.0 bar	24,0	75,0	14,0	24
K- 07 30 11 37	G 1/2"	19.5 bar	24,0	75,0	14,0	24
K- 07 30 11 38	G 1/2"	19.6 bar	24,0	75,0	14,0	24
K- 07 30 11 47	G 1/2"	20.0 bar	24,0	75,0	14,0	24
K- 07 30 11 48	G 1/2"	20.5 bar	24,0	75,0	14,0	24
K- 07 30 11 49	G 1/2"	21.0 bar	24,0	75,0	14,0	24
K- 07 30 11 50	G 1/2"	22.0 bar	24,0	75,0	14,0	24
K- 07 30 11 51	G 1/2"	23.0 bar	24,0	75,0	14,0	24
K- 07 30 11 52	G 1/2"	23.5 bar	24,0	75,0	14,0	24
K- 07 30 11 53	G 1/2"	24.0 bar	24,0	75,0	14,0	24
K- 07 30 11 54	G 1/2"	25.0 bar	24,0	75,0	14,0	24
K- 07 30 11 55	G 1/2"	25.5 bar	24,0	75,0	14,0	24
K- 07 30 11 56	G 1/2"	26.0 bar	24,0	75,0	14,0	24
K- 07 30 11 57	G 1/2"	27.0 bar	24,0	75,0	14,0	24
K- 07 30 11 58	G 1/2"	27.5 bar	24,0	75,0	14,0	24
K- 07 30 11 59	G 1/2"	28.0 bar	24,0	75,0	14,0	24
K- 07 30 11 60	G 1/2"	28.5 bar	24,0	75,0	14,0	24
K- 07 30 11 61	G 1/2"	29.5 bar	24,0	75,0	14,0	24
K- 07 30 11 70	G 1/2"	30.0 bar	24,0	75,0	14,0	24
K- 07 30 11 71	G 1/2"	30.5 bar	24,0	75,0	14,0	24
K- 07 30 11 72	G 1/2"	31.0 bar	24,0	75,0	14,0	24
K- 07 30 11 73	G 1/2"	32.0 bar	24,0	75,0	14,0	24
K- 07 30 11 74	G 1/2"	32.5 bar	24,0	75,0	14,0	24
K- 07 30 11 75	G 1/2"	33.0 bar	24,0	75,0	14,0	24
K- 07 30 11 76	G 1/2"	34.0 bar	24,0	75,0	14,0	24
K- 07 30 11 77	G 1/2"	34.5 bar	24,0	75,0	14,0	24
K- 07 30 11 78	G 1/2"	35.0 bar	24,0	75,0	14,0	24
K- 07 30 11 79	G 1/2"	36.0 bar	24,0	75,0	14,0	24
K- 07 30 11 80	G 1/2"	37.5 bar	24,0	75,0	14,0	24
K- 07 30 11 81	G 1/2"	39.0 bar	24,0	75,0	14,0	24
K- 07 30 11 89	G 1/2"	40.0 bar	24,0	75,0	14,0	24
K- 07 30 11 90	G 1/2"	40.5 bar	24,0	82,0	14,0	24
K- 07 30 11 91	G 1/2"	41.0 bar	24,0	82,0	14,0	24
K- 07 30 11 92	G 1/2"	42.0 bar	24,0	82,0	14,0	24
K- 07 30 11 93	G 1/2"	45.0 bar	24,0	82,0	14,0	24
K- 07 30 11 94	G 1/2"	46.0 bar	24,0	82,0	14,0	24
K- 07 30 11 95	G 1/2"	47.0 bar	24,0	82,0	14,0	24
K- 07 30 12 04	G 1/2"	50.0 bar	24,0	82,0	14,0	24