

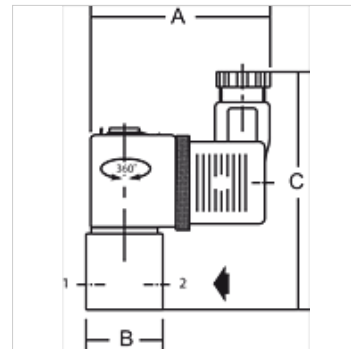
K-PROP VENTIL WA 24 V DC

Proportional valves for controlling the flow of water / oil, 24 VDC, closed when de-energised

HANSA FLEX

Свойства

Температурен диапазон	Max. 50 °C (G 1/8), Max. 90 °C (G 1/4, G 3/8)
Течности	Air, neutral gases, water, oil
диапазон на налягане	Vacuum (max. 8 bar)
задействане	Via plug amplifier 0 to 10 V, 0 to 20 mA, 4 to 20 mA
поведение Failsafe	Tight closure in case of loss of voltage
корпус, гнездо на клапан	Brass
вътрешни части	Stainless steel
клапанна тарелка	FKM
уплътняващ материал	FKM



Указание

Други данни при запитване.

Описание

Ever increasing requirements with regard to quality, precision, productivity, convenience, user friendliness and service represent tough challenges for industrial plant and production facilities. These challenges can only be mastered if physical quantities such as temperature, pressure, force, speed, torque, etc. are optimally adapted to the operating conditions of each installation. Stepless adjustment of these parameters is vital.

Proportional valves allow the medium to be varied as a function of an electronic input variable. By linking these valves to the electronics, it is possible to improve their accuracy and broaden their range of applications. A pressure regulator, for instance, needs to be suitable for several pressure ranges without having to adjust the pressure manually. Proportional valves control the output pressure in a closed control loop proportionally to the selected setpoint signal. This output pressure, in other words, is continually compared with the specified setpoint and automatically adjusted according to actual parameter values.

Допълнителна информация

We recommend combining these proportional valves with a plug amplifier, type K-07250999 or K-07251000

We recommend combining these proportional valves with a plug amplifier, type K-07250999 or K-07251000

Артикул

Обозначение	Съединение	DN	макс. разлика работно налягане (bar)	A (mm)	B	C (mm)
K- 07 25 09 95	G 1/4	2	8	85,0	40,0 mm	95,0
K- 07 25 09 96	G 1/4	3	4	85,0	40,0 mm	95,0
K- 07 25 09 97	G 3/8	6	1	85,0	48,0 mm	97,0
K- 07 25 09 98	G 3/8	7	1	85,0	48,0 mm	97,0