

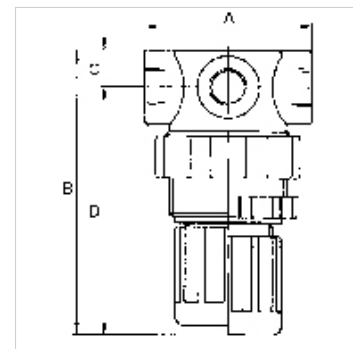
K-DBV MANO 1/4"

Pressure limiting valves size 1/4

HANSA FLEX

Свойства

Конструкция	Spring-loaded, non-return diaphragm valve with adjustable opening pressure
температура на средата	max. 60 °C
околна температура	Max. 60 °C
уплътняващ материал	NBR
пружинен калпак	POM/brass
корпус	Die-cast zinc, painted silver
мембрана	NBR



Указание

Други данни при запитване.

Описание

Manually adjustable overflow valves. For protecting pneumatic systems against damage caused by excess pressure.

Артикул

Обозначение	Резба	диапазон на регулиране	A (mm)	B	C (mm)	D (mm)
K- 07 25 01 93	G 1/4	0.1 - 2.0 bar	43,0	70,0 mm	10,0	60,0
K- 07 25 01 94	G 1/4	0.1 - 3.0 bar	43,0	70,0 mm	10,0	60,0
K- 07 25 01 95	G 1/4	0.15 - 7.0 bar	43,0	70,0 mm	10,0	60,0
K- 07 25 01 96	G 1/4	0.5 - 10.0 bar	43,0	70,0 mm	10,0	60,0

Резервни части

K-HALTERBAUSATZ	Holder
K-SCHALTAFELMUTTER	Nut
K-VERSCHLEI-SATZ	Set of wearing parts
K-SCHALLDAE SINTERBR AG 569	Silencers, sintered bronze, flat type with male thread, 569 Series
K-GERAETESTECKER	Coupling socket