

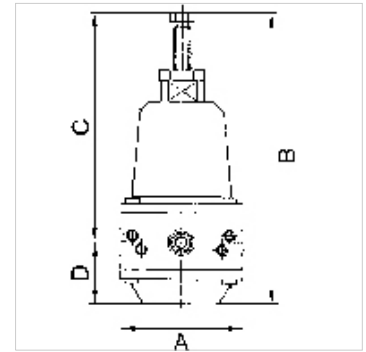
K-PRAEZI DRUCKREGLER MEM

Precision pressure regulators

HANSA FLEX

Свойства

| | |
|---------------------------|-----------------------------------------------------------|
| входящо налягане | Max. 16 bar |
| температура на средата | max. 60 °C |
| околна температура | Max. 60 °C |
| Течности | Micro-filtered, unoled compressed air (0.01 µm) |
| съединение манометър | G 1/4 |
| уплътняващ материал | NBR |
| корпус | Die-cast zinc |
| разход на собствен въздух | 0.01 l/min, depending on input pressure and control range |



Указание

The given flow rates are based on the following parameters: 750 l/min: P1: 8 bar, P2: 2 bar, $\Delta p \leq 0.2$ bar

750 l/min: P1: 8 bar, P2: 3 bar, $\Delta p \leq 0.5$ bar

750 l/min: P1: 8 bar, P2: 5 bar, $\Delta p \leq 0.7$ bar

Други данни при запитване.

Описание

Diaphragm pressure regulators containing no non-ferrous metals, with self-relieving design for applications requiring an precise working pressure.

Допълнителна информация

1500 l/min: P1: 10 bar, P2: 7 bar, $\Delta p \leq 0.1$ bar.

Артикул

| Обозначение | Резба | диапазон на регулиране | протичане (L/min) | A (mm) | B | C (mm) | D (mm) |
|----------------|-------|------------------------|-------------------|--------|----------|--------|--------|
| K- 07 25 09 36 | G 1/4 | 0.1 - 2 bar | 750 | 60,0 | 152,0 mm | 120,0 | 32,0 |
| K- 07 25 09 37 | G 1/4 | 0.1 - 3 bar | 750 | 60,0 | 152,0 mm | 120,0 | 32,0 |
| K- 07 25 09 38 | G 1/4 | 0.2 - 5 bar | 750 | 60,0 | 152,0 mm | 120,0 | 32,0 |

Резервни части

| | |
|--------------------------|--------------------------------------|
| K-HALTERBAUSATZ STANDARD | Holder |
| K-VERSCHLEI-SATZ | Set of wearing parts |
| K-FILTERELEMENT | Filter element |
| K-XV AGM 2 | Double nipples, parallel male thread |