

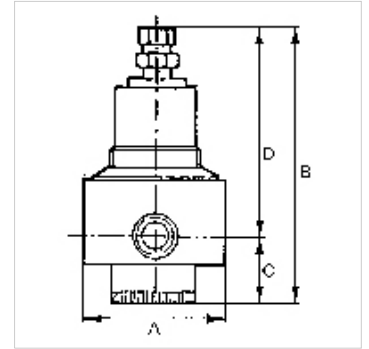
K-DRG RUECKSTERERBAR M MANO VA

Reversible, stainless steel pressure regulators with self-relieving design, stainless steel pressure gauge

HANSA FLEX

Свойства

входящо налягане	Max. 30 bar (Control range 0.5 - 8.0 bar), Max. 50 bar (Control range 1.0 - 15.0 bar)
температура на средата	max. 80 °C
околна температура	Max. 80 °C
уплътняващ материал	FKM
мембрана	PTFE
Материал	stainless steel 1.4404 (AISI 316L)
измерване на стойността на протичане	At P1 = 8 bar, P2 = 6 bar and pressure drop $\Delta p \leq 1$ bar



Указание

Други данни при запитване.

Описание

Stainless steel regulators containing no non-ferrous metals for use in the food processing, chemical, mining, plant construction and special machinery industries as well as in the medical technology.

Указания за поръчка

NPT thread available on request

Артикул

Обозначение	Резба	диапазон на регулиране	протичане (L/min)	A (mm)	B	C (mm)	D (mm)
K- 07 25 02 06	G 1/4	0.5 - 8.0 bar	200	65,0	162,0 mm	37,0	125,0
K- 07 25 02 07	G 1/4	1.0 - 15.0 bar	330	65,0	162,0 mm	37,0	125,0
K- 07 25 02 04	G 1/2	0.5 - 8.0 bar	660	80,0	164,0 mm	37,0	127,0
K- 07 25 02 05	G 1/2	1.0 - 15.0 bar	1800	80,0	164,0 mm	37,0	127,0

Резервни части

K-HALTERBAUSATZ EDELSTAHL	Holder
K-MANO	Pressure gauges (CrNi steel type / connection on rear)
K-VERSCHLEI-SATZ	Set of wearing parts