

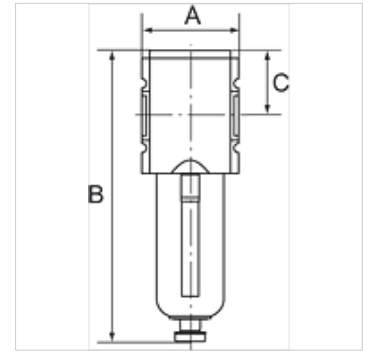
# K-FI AK KOH PC-BEHAE SCHUTZK HANSA

Activated carbon filters

**HANSA FLEX**

## Свойства

|                                      |  |
|--------------------------------------|--|
| входящо налягане                     | 0 - 16 bar   |
| Температурен диапазон                | -10 °C to +50 °C   |
| Течности                             | въздух под налягане                                      |
| присъединителна резба                | Material: Die-cast zinc                                  |
| резервоар                            | Polycarbonate (with bayonet lock)                        |
| филтриращ елемент                    | Activated carbon   |
| корпус                               | Material: Grivory® (PA 66)                               |
| защитен кош                          | Polyamide  |
| остатъчно съдържание на масло        | 0.005 mg/m <sup>3</sup> , class 0 acc. to DIN ISO 8573-1 |
| измерване на стойността на протичане | At P2 = 6 bar and pressure drop $\Delta p = 0.5$ bar     |



## Указание

Други данни при запитване.

## Описание

Activated carbon filters in modern design for compliance with strict compressed air purity requirements. Activated carbon filters are used to absorb oil vapour up to a residual oil content of 0.005 mg/m<sup>3</sup> from compressed air and gases.

## Артикул

| Обозначение    | Резба | протичане (L/min) | A (mm) | B        | C (mm) |
|----------------|-------|-------------------|--------|----------|--------|
| K- 07 25 10 41 | G 1/4 | 500               | 52,0   | 157,0 mm | 34,0   |
| K- 07 25 10 42 | G 3/8 | 500               | 52,0   | 157,0 mm | 34,0   |
| K- 07 25 10 43 | G 3/8 | 1600              | 63,0   | 183,0 mm | 42,5   |
| K- 07 25 10 44 | G 1/2 | 1600              | 63,0   | 183,0 mm | 42,5   |
| K- 07 25 10 23 | G 3/4 | 3000              | 85,0   | 240,5 mm | 58,0   |
| K- 07 25 10 24 | G 1   | 3000              | 85,0   | 240,5 mm | 58,0   |

## Резервни части

|                              |                               |
|------------------------------|-------------------------------|
| K-HALTERBAUSATZ HANSA        | Holder HANSA                  |
| K-ERSATZBEHAELTER HANSA POLY | Spare tank HANSA polycarbonat |