

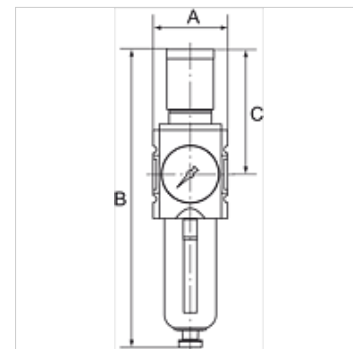
K-FI REGL PC-BEHAEL S MANO HANSA

Filter regulators

HANSA FLEX

Свойства

входящо налягане	1.5 - 16 bar
изходящо налягане	0.5 - 8 bar
Температурен диапазон	-10 °C to +50 °C
Течности	въздух под налягане
тънкоост на филтрация	5,00 µm
присъединителна резба	Material: Die-cast zinc
резервоар	Polycarbonate (with bayonet lock)
филтриращ елемент	Cellpor (PE)
корпус	Material: Grivory® (PA 66)
мембрана	NBR
разход на собствен въздух	Max. 1.5 l/min (depending on secondary pressure)
измерване на стойността на протичане	At P1 = 10 bar, P2 = 6.3 bar and pressure drop $\Delta p = 1$ bar



Указание

Други данни при запитване.

Описание

Filter regulators with excellent flow rates in modern design. The regulator knob can be latched and locked.

Указания за поръчка

The price does not include a key lock. Please order separately.

Артикул

Обозначение	Резба	протичане (L/min)	A (mm)	B	C (mm)	Конструктивен размер	изпускане на кондензат
K- 07 25 06 57	G 1/4	2200	52,0	225,0 mm	95,5	-	Semi
K- 07 25 06 58	G 3/8	2600	52,0	225,0 mm	95,5	-	Semi
K- 07 25 06 59	G 3/8	4300	63,0	257,0 mm	110,0	-	Semi
K- 07 25 06 60	G 1/2	5200	63,0	257,0 mm	110,0	-	Semi
K- 07 25 06 53	G 3/4	14000	85,0	329,0 mm	137,0	-	Semi
K- 07 25 06 54	G 1	14000	85,0	329,0 mm	137,0	-	Semi
K- 07 25 06 61	G 1/4	2200	52,0	243,0 mm	95,5	-	Auto
K- 07 25 06 62	G 3/8	2600	52,0	243,0 mm	95,5	-	Auto
K- 07 25 06 63	G 3/8	4300	63,0	274,0 mm	110,0	-	Auto
K- 07 25 06 64	G 1/2	5200	63,0	274,0 mm	110,0	-	Auto
K- 07 25 06 55	G 3/4	14000	85,0	343,0 mm	137,0	4	Auto
K- 07 25 06 56	G 1	14000	85,0	343,0 mm	137,0	4	Auto

Принадлежности

K-STECKSCHLOSS Key lock

Резервни части

K-HALTERBAUSATZ HANSA	Holder HANSA
K-ERSATZBEHAELTER HANSA POLY	Spare tank HANSA polycarbonat
K-SCHALTAFELMUTTER HANSA	Nut HANSA
K-FILTERELEMENT	Filter element
K-DICHTSATZ HANSA	Set of seals HANSA