

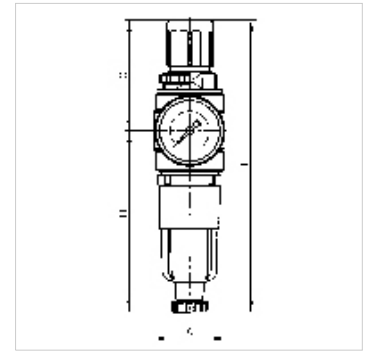
# K-FI REGL PC-BEHAEL MANO MULTIFIX M

Filter regulators with polycarbonate bowl and pressure gauge

**HANSA FLEX**

## Свойства

входящо налягане	Max. 16 bar (also for metal tank!)
температура на средата	max. 60 °C
околна температура	Max. 60 °C
ширина на порите във филтриращия елемент	5 µm
уплътняващ материал	NBR
пружинен калпак	POM-brass
корпус	Die-cast zinc
Drain valve	Semi-automatic
измерване на стойността на протичане	At P1 = 8 bar, P2 = 6 bar and pressure drop $\Delta p = 1$ bar



## Указание

Други данни при запитване.

## Описание

Reversible diaphragm pressure regulators, independent of inlet pressure, with secondary ventilation, in combination with a centrifugal separator. The pressure setting can be locked by pressing in the handwheel.

## Указания за поръчка

Lockable filter pressure regulators available on request. If several devices in the »multifix-mini« Series are assembled together, the maximum working pressure is 12 bar.

## Артикул

Обозначение	Резба	диапазон на регулиране	протичане (L/min)	A (mm)	B	C (mm)	D (mm)	DN	Конструктивен размер
K- 07 25 00 63	G 1/8	0.1 - 3 bar	950	40,0	165,5 mm	63,0	102,5	5	0
K- 07 25 00 62	G 1/8	0.5 - 10 bar	950	40,0	165,5 mm	63,0	102,5	5	0
K- 07 25 00 65	G 1/4	0.1 - 3 bar	1100	40,0	165,5 mm	63,0	102,5	5	0
K- 07 25 00 66	G 1/4	0.5 - 10 bar	1100	40,0	165,5 mm	63,0	102,5	5	0

## Резервни части

K-HALTERBAUSATZ	Holder
K-SCHALTTAFELMUTTER	Nut
K-KOPPELPAKET MEHR	Coupling packet
K-ERSATZBEHAELTER MULTI MINI	Spare tank »multifix-mini« & »standard-mini«
K-PC-BEHAELTER FILTER MULTIFIX	Polycarbonate tank filter
K-FILTERELEMENT	Filter element
K-VERSCHLEI-SATZ	Set of wearing parts
K-AUTOMAT ABLASSVENTIL	Automatic drain valve