

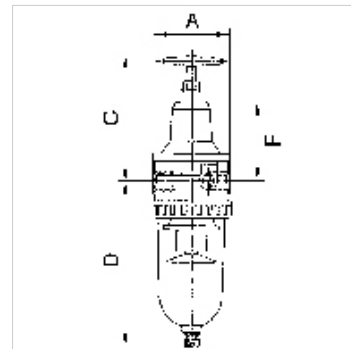
K-FI REGL PC-BEHAEL H ABLV STANDARD

Filter regulators with polycarbonate bowl and semi-automatic drain valve

HANSA FLEX

Свойства

входящо налягане	Max. 16 bar (polycarbonate bowl), Max. 25 bar (metal bowl)
диапазон на регулиране	0.5 to 10 bar (polycarbonate bowl), 0.5 to 16 bar (metal bowl)
температура на средата	max. 60 °C
околна температура	Max. 60 °C
ширина на порите във филтрация елемент	5 µm (Size 1 / Size 3), 40 µm (Size 2 / Size 4)
уплътняващ материал	NBR
корпус	Die-cast zinc (G1/4 to G1/2), silver painted/aluminium (G3/4 to G1), silver painted
измерване на стойността на протичане	At P1 = 8 bar, P2 = 6 bar and pressure drop $\Delta p = 1$ bar



Указание

Други данни при запитване.

Описание

Reversible diaphragm pressure regulators, independent of inlet pressure, with selfrelieving design, combined with a centrifugal separator.

Артикул

Обозначение	Резба	протичане (L/min)	A (mm)	C (mm)	D (mm)	DN	F (mm)
K- 07 25 06 67	G 1/4	900	54,0	106,5	129,7	8	62,0
K- 07 25 06 70	G 3/8	900	54,0	106,5	129,7	8	62,0
K- 07 25 06 73	G 3/8	1500	70,0	120,5	145,9	11	76,5
K- 07 25 06 76	G 1/2	3000	82,0	130,0	169,4	14	83,0
K- 07 25 06 79	G 3/4	7000	125,0	190,6	261,4	25	145,0
K- 07 25 06 82	G 1	7000	125,0	190,6	261,4	25	145,0

Резервни части

K-HALTERBAUSATZ STANDARD	Holder
K-SCHUTZKORB G	Protective cage
K-FILTERELEMENT	Filter element
K-VERSCHLEI-SATZ	Set of wearing parts
K-XV AGM MS NI	Double nipples, parallel male thread, nickel-plated brass
K-LOESBARE DOPPELNIPPEL MS	Double nipples
K-ABLASSVENTIL AUTO	Fully-automatic drain valve with Adapter G 1/8
K-AUTOMAT ABLASSVENTIL	Automatic drain valve