

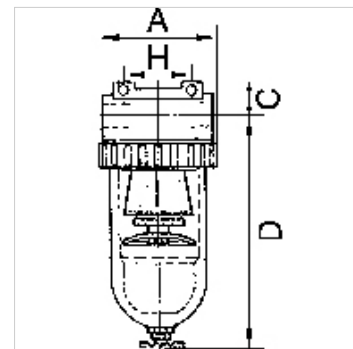
# K-FI SPEZI METALLBEHAEL M STANDAD

Special filters with metal bowl and manual drain valve

**HANSA FLEX**

## Свойства

входящо налягане	Max. 16 bar (polycarbonate bowl / bowl guard), Max. 25 bar (metal bowl)
температура на средата	max. 50 °C
околна температура	Max. 50 °C
ефективност	99.999 %
ширина на порите във филтрация елемент	0.01 µm
корпус	Die-cast zinc, painted silver
измерване на стойността на протичане	At P2 = 6 bar and pressure drop Δp = 1 bar



## Указание

Други данни при запитване.

## Описание

For all applications with particularly strict compressed air purity requirements. The separating efficiency of these filters permits very fine oil vapour particles and micro-fine suspended particles to be filtered. A standard filter should always be connected upstream to trap coarse impurities and protect the micro-filter inserts.

## Артикул

Обозначение	Резба	протичане (L/min)	A (mm)	C (mm)	D (mm)	H (mm)	DN
K- 07 25 10 74	G 1/4	380	48,0	14,0	133,5	38,0	6
K- 07 25 10 77	G 3/8	380	48,0	14,0	133,5	38,0	6
K- 07 25 10 79	G 3/8	720	70,0	16,0	159,0	50,0	10
K- 07 25 10 81	G 1/2	1250	79,0	18,0	171,0	50,0	15
K- 07 25 10 84	G 3/4	7000	133,0	36,0	206,0	134,0	20
K- 07 25 10 87	G 1	7000	133,0	36,0	206,0	120,0	25

## Резервни части

K-HALTERBAUSATZ STANDARD	Holder
K-FILTERELEMENT STANDARD	Filter element
K-SCHUTZKORB G	Protective cage
K-XV AGM MS NI	Double nipples, parallel male thread, nickel-plated brass
K-LOESBARE DOPPELNIPPEL MS	Double nipples