

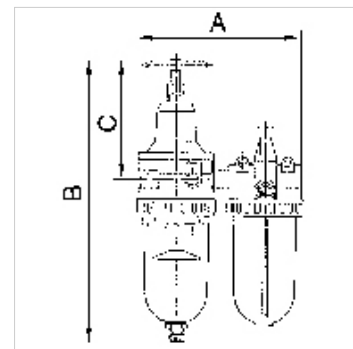
K-WTEH 2-TLG PC H ABLV STANDARD

Service units with polycarbonate bowl and semi-automatic drain valve

HANSA FLEX

Свойства

| | |
|--|---|
| входящо налягане | Max. 16 bar (polycarbonate bowl / bowl guard), Max. 25 bar (metal bowl) |
| диапазон на регулиране | 0.5 to 10 bar (polycarbonate bowl), 0.5 to 16 bar (metal bowl) |
| температура на средата | max. 60 °C |
| околна температура | Max. 60 °C |
| ширина на порите във филтрация елемент | 5 µm (Size 1 / Size 3), 40 µm (Size 2 / Size 4) |
| уплътняващ материал | NBR |
| корпус | Die-cast zinc / Aluminium, painted silver |
| наставка прокапване | PA (polycarbonate bowl), Zinc-glass-NBR (metal bowl) |
| измерване на стойността на протичане | At P1 = 8 bar, P2 = 6 bar and pressure drop Δp = 1 bar |



Указание

Други данни при запитване.

Описание

Two-piece service units consisting of a reversible diaphragm pressure regulator, independent of inlet pressure, with self-relieving design, combined with a centrifugal separator and a proportional lubricator.

Артикул

| Обозначение | Резба | протичане (L/min) | A (mm) | B | C (mm) | DN | Ø манометър |
|----------------|-------|-------------------|--------|----------|--------|----|-------------|
| K- 07 25 14 93 | G 1/4 | 600 | 117,0 | 236,2 mm | 106,5 | 6 | 50 |
| K- 07 25 14 96 | G 3/8 | 600 | 117,0 | 236,2 mm | 106,5 | 6 | 50 |
| K- 07 25 14 99 | G 3/8 | 800 | 150,0 | 266,4 mm | 120,5 | 10 | 63 |
| K- 07 25 15 02 | G 1/2 | 2100 | 175,0 | 299,4 mm | 130,0 | 15 | 63 |
| K- 07 25 15 05 | G 3/4 | 4000 | 220,0 | 452,0 mm | 190,6 | 20 | 63 |
| K- 07 25 15 08 | G 1 | 4000 | 220,0 | 452,0 mm | 190,6 | 25 | 63 |

Резервни части

| | |
|----------------------------|---|
| K-HALTERBAUSATZ STANDARD | Holder |
| K-SCHUTZKORB G | Protective cage |
| K-VERSCHLEI-SATZ | Set of wearing parts |
| K-FILTERELEMENT | Filter element |
| K-TROPFAUFSATZ POLYCARBO | Drip attachment polycarbonate |
| K-XV AGM MS NI | Double nipples, parallel male thread, nickel-plated brass |
| K-LOESBARE DOPPELNIPPEL MS | Double nipples |
| K-RD NIPPEL MS NI | Reducing nipples - nickel-plated brass |
| K-TROPFAUFSATZ METALL | Drip attachment metal |
| K-ABLASSVENTIL AUTO | Fully-automatic drain valve with Adapter G 1/8 |
| K-AUTOMAT ABLASSVENTIL | Automatic drain valve |