

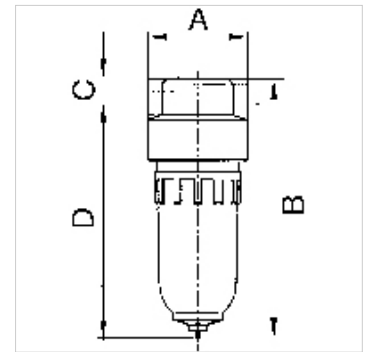
K-FI METALLBEHAELTER STANDARD-MINI

Filters with metal bowl

HANSA FLEX

Свойства

входящо налягане	Max. 16 bar (polycarbonate bowl), Max. 25 bar (metal bowl)
температура на средата	max. 60 °C
околна температура	Max. 60 °C
протичане	800 l/min
ширина на порите във филтрация елемент	8 µm
уплътняващ материал	NBR
корпус	Die-cast zinc, painted silver
Drain valve	Semi-automatic for variant with polycarbonate bowl, Manual for variant with metal bowl
измерване на стойността на протичане	At P2 = 6 bar and pressure drop Δp = 1 bar
Други данни	User manual on request



Описание

Centrifugal separators with a sintered filter element. Compact design.

Артикул

Обозначение	Резба	A (mm)	B	C (mm)	D (mm)	DN
K- 07 25 05 83	G 1/8	40,0	108,5 mm	10,0	98,5	5
K- 07 25 05 84	G 1/4	40,0	108,5 mm	10,0	98,5	5

Резервни части

K-ERSATZBEHAELTER MULTI MINI	Spare tank »multifix-mini« & »standard-mini«
K-PC-BEHAELTER FILTER MULTIFIX	Polycarbonate tank filter
K-FILTERELEMENT	Filter element
K-AUTOMAT ABLASSVENTIL	Automatic drain valve
K-LOESBARE DOPPELNIPPEL MS	Double nipples
K-XV AGM MS NI	Double nipples, parallel male thread, nickel-plated brass