

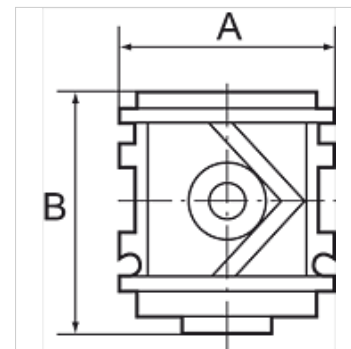
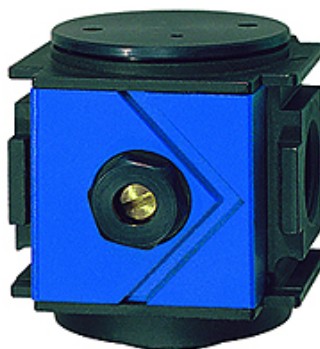
K-ANFAV VARIOBLOC

Manifolds

HANSA FLEX

Свойства

Работно налягане	2 - 25 bar
измерване на стойността на протичане	At P1 = 6 bar and pressure drop $\Delta p = 1$ bar



Указание

Други данни при запитване.

Описание

For slow pressure build-up in pneumatic systems, e.g. after an emergency stop. The valve opens to full flow at approximately 60% of the set operating pressure. The filling time can be set by turning the adjusting screw. Used in combination with multi-piece service units.

Артикул

Обозначение	Резба	протичане (L/min)	A (mm)	B	Работно налягане bar
K- 07 25 11 84	G 1/4	1200	48,0	54,0 mm	2 - 25 bar
K- 07 25 11 85	G 3/8	1400	48,0	54,0 mm	2 - 25 bar
K- 07 25 11 86	G 1/2	3800	70,0	72,0 mm	2 - 25 bar
K- 07 25 11 87	G 3/4	4200	70,0	72,0 mm	2 - 25 bar
K- 07 25 11 88	G 1	4200	124,0	72,0 mm	2 - 25 bar