

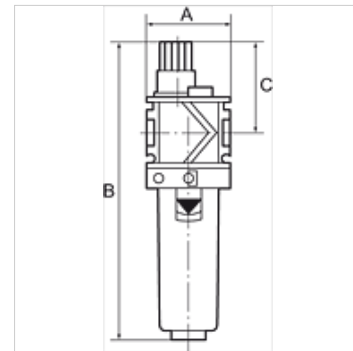
K-NEBELOELER METALLBEHAELTER VARIOBLOC

Oil-mist lubricators with metal bowl, incl. sight glass and metal sight dome

HANSA FLEX

Свойства

входящо налягане	Max. 16 bar (polycarbonate bowl), Max. 20 bar (metal bowl)
температура на средата	max. 50 °C
околна температура	Max. 50 °C (polycarbonate bowl), Max. 80 °C (metal bowl)
уплътняващ материал	NBR
корпус	Die-cast zinc
наставка процапване	PA
вид масло	CL 32 acc. to DIN 51517 - ISO VG 32
измерване на стойността на протичане	At P1 = 6 bar and pressure drop $\Delta p = 1$ bar



Указание

Други данни при запитване.

Описание

Proportional lubricators, oil can be filled under pressure. Approved series in modern industrial design, with the following key benefits: Simple handling, Convenient modular assembly thanks to innovative fasteners, Excellent flow values.

Указания за поръчка

Oil-mist lubricators are also available with bowl guard or metal bowl.

Артикул

Обозначение	Резба	протичане (L/min)	A (mm)	B	C (mm)
K- 07 25 09 14	G 1/4	3400	48,0	180,0 mm	60,0
K- 07 25 09 16	G 3/8	4400	48,0	180,0 mm	60,0
K- 07 25 09 18	G 1/2	4600	70,0	224,0 mm	65,0
K- 07 25 09 20	G 3/4	7500	70,0	224,0 mm	65,0
K- 07 25 09 22	G 1	7500	124,0	224,0 mm	65,0

Резервни части

K-ERSATZBEHAELTER VARIOBLOC POLY	Spare tank Polycarbonat
K-TROPFAUFSATZ VARIOBLOC	Drip attachment
K-TROPFAUFSATZ METALL	Drip attachment metal