

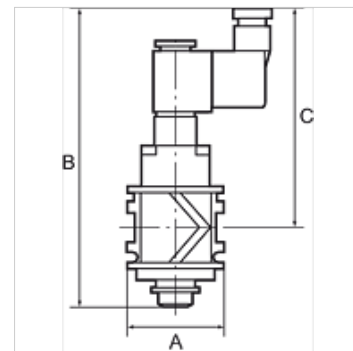
K-SCHALTVENTILE 3/2 VAROBLOC

On-off valves (3/2-way valves)

HANSA FLEX

Свойства

вид защита	IP 65 acc. to DIN 40050
работно налягане	3 to 10 bar
измерване на стойността на протичане	At P1 = 6 bar and pressure drop $\Delta p = 1$ bar



Указание

Други данни при запитване.

Описание

For pressurising and relieving pneumatic systems. Ideal as the main "on" valve for service units. The pressure in the line is exhausted when the valve is switched off.

Артикул

Обозначение	Резба	протичане (L/min)	A (mm)	Съединение	B	C (mm)	Напрежение
K- 07 25 11 94	G 1/4	2200	48,0	Device plug PG 9, type B, EN 175301-803	147,0 mm	108,0	24 V DC
K- 07 25 11 95	G 3/8	2600	48,0	Device plug PG 9, type B, EN 175301-803	147,0 mm	108,0	24 V DC
K- 07 25 11 96	G 1/2	3300	70,0	Device plug PG 9, type B, EN 175301-803	157,0 mm	113,0	24 V DC
K- 07 25 11 97	G 3/4	3800	70,0	Device plug PG 9, type B, EN 175301-803	157,0 mm	113,0	24 V DC
K- 07 25 11 98	G 1	3800	124,0	Device plug PG 9, type B, EN 175301-803	157,0 mm	113,0	24 V DC

Резервни части

K-MAGNETSPULE VARIOBLOC	Solenoid
K-GERAETESTECKER	Coupling socket