

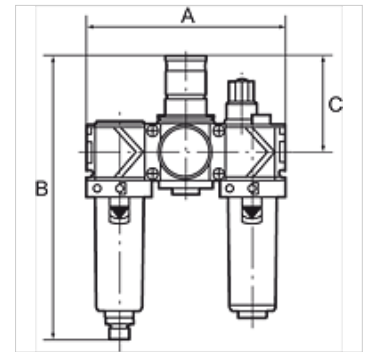
K-WTEH 3-TLG PC-BEHÄLTER VARIOBLOC

Service units, 3-piece with polycarbonate bowl

HANSA FLEX

Свойства

| | |
|--|--|
| входящо налягане | Max. 16 bar (polycarbonate bowl), Max. 20 bar (metal bowl) |
| температура на средата | max. 50 °C |
| околна температура | Max. 50 °C (polycarbonate bowl), Max. 80 °C (metal bowl) |
| ширина на порите във филтриращия елемент | 40 µm |
| уплътняващ материал | NBR |
| пружинен калпак | POM |
| корпус | Die-cast zinc |
| мембрана | NBR |
| наставка прокапване | PA |
| Drain valve | Manual |
| измерване на стойността на протичане | At P1 = 10 bar, P2 = 6 bar and pressure drop $\Delta p = 1$ bar |



Указание

Други данни при запитване.

Описание

Two or three-piece service units consisting of a reversible diaphragm pressure regulator, independent of inlet pressure, with self-relieving design, combined with a centrifugal separator and a proportional lubricator. Approved series in modern industrial design, with the following key benefits: Simple handling, Convenient modular assembly thanks to innovative fasteners, Excellent flow values.

Указания за поръчка

Service units are also available with bowl guard or metal bowl. Service units are also available in other control ranges (0.5 - 6 bar and 0.5 - 16 bar) and in lockable version. Please ask for more information.

Допълнителна информация

Service units are also available with bowl guard or metal bowl. Service units are also available in other control ranges.

Артикул

| Обозначение | Резба | диапазон на регулиране | протичане (L/min) | A (mm) | B | C (mm) |
|----------------|-------|------------------------|-------------------|--------|----------|--------|
| K- 07 25 14 11 | G 1/4 | 0.5 - 10 bar | 1500 | 144,0 | 201,0 mm | 68,0 |
| K- 07 25 14 13 | G 3/8 | 0.5 - 10 bar | 1800 | 144,0 | 201,0 mm | 68,0 |
| K- 07 25 14 15 | G 1/2 | 0.5 - 10 bar | 3400 | 210,0 | 247,0 mm | 98,0 |
| K- 07 25 14 17 | G 3/4 | 0.5 - 10 bar | 5000 | 210,0 | 247,0 mm | 98,0 |
| K- 07 25 14 19 | G 1 | 0.5 - 10 bar | 5000 | 264,0 | 247,0 mm | 98,0 |

Резервни части

| | |
|---------------------------------|--|
| K-VERSCHLEI-SATZ VARIOBLOC | Set of wearing parts |
| K-FILTERELEMENT VARIOBLOC | Filter element |
| K-TROPFAUFSATZ VARIOBLOC | Drip attachment |
| K-ERSATZBEHÄLTER VARIOBLOC POLY | Spare tank Polycarbonat |
| K-ABLASSVENTIL AUTO | Fully-automatic drain valve with Adapter G 1/8 |
| K-TROPFAUFSATZ METALL | Drip attachment metal |