

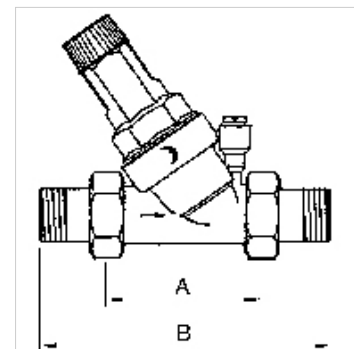
# K-DRG SAXONIA M MANO

Pressure regulators

**HANSA FLEX**

## Свойства

входящо налягане	Max. 16 bar
Течности	Drinking water
работна температура	Max. 30 °C
уплътняващ материал	NBR
пружинен калпак	Plastic
корпус	Brass
чаша с цедка	Plastic, with control dial for back pressure
Други данни	DVGW Zertifikat



## Указание

Други данни при запитване.

## Описание

Diaphragm pressure regulators with pressure-reduced single-seated valve and built-in strainer. These pressure regulators, which are independent of inlet pressure, protect domestic water installations against excessive supply pressure. They can also be used for commercial or industrial purposes providing their specification is adequate.

## Артикул

Обозначение	Резба	DN	диапазон на регулиране	протичане kvs стойност (m <sup>3</sup> /h)	A (mm)	B
K- 07 25 04 72	R 3/4	20	1.5 - 6 bar	3,4	90,0	158,0 mm
K- 07 25 04 73	R 1	25	1.5 - 6 bar	5,3	100,0	184,0 mm
K- 07 25 04 74	R 1 1/4	32	1.5 - 6 bar	8,6	130,0	228,0 mm

## Резервни части

K-VENTILAUSTAUSSCHSATZ	Valve replacement kit
K-ERSATZSIEBE	Replacement strainer
K-RMM U STAHL	Standard pressure gauges (sheet steel housing / connection radial on bottom)