

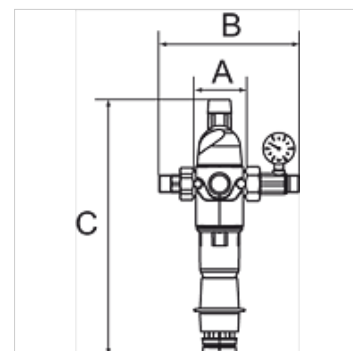
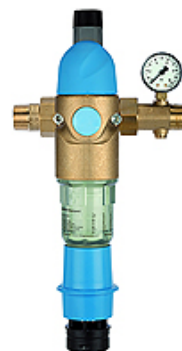
K-FI RUECKSPUEL M DRUCKREGLER

Back-flushing filters with pressure regulator

HANSA FLEX

Свойства

входящо налягане	Max. 16 bar
околна температура	+5 °C to +40 °C
Температура вода min.	5 °C
Температура вода max.	30 °C
ширина на порите във филтрация елемент	90 µm (first filter element), 110 µm (second filter element)
корпус	Brass
чаша с цедка	Impact-resistant plastic
мощност на протичане	at $\Delta p = 0.2$ bar
Други данни	DVGW Zertifikat



Указание

Други данни при запитване.

Описание

Combined station for filtering and regulating the pressure of drinking and domestic water in addition to well, process and cooling water for once-through cooling systems, consisting of a diaphragm pressure regulator with a pressure-reduced single-seated valve and a back-flushing filter. The filter candle must be cleaned manually at regular intervals by back-flushing (flushing out dirt particles). Integrated back-flushing element with suction elements, back-flushing lever, wing lever for back-flushing element, hose connection for flushing water.

Артикул

Обозначение	Резба	DN	диапазон на регулиране	протичане kvs стойност (m ³ /h)	A (mm)	B	C (mm)
K- 07 25 10 11	R 3/4	20	2 - 6 bar	3,0	79,7	213,0 mm	392,8
K- 07 25 10 12	R 1	25	2 - 6 bar	3,5	79,7	213,0 mm	392,8
K- 07 25 10 13	R 1 1/4	32	2 - 6 bar	4,0	79,7	213,0 mm	392,8

Резервни части

K-FILTEREINSATZ	Filter insert
K-KUNSTSTOFFBEHAELTER	Plastic tank