

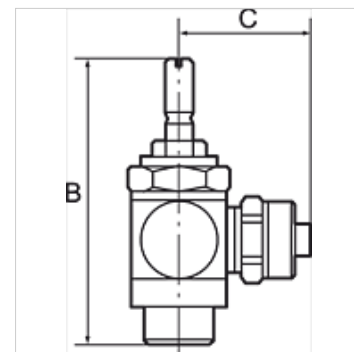
K-DRV SCHNVERSCHR V RAENDEL

Unidirectional flow control valves, incoming air restriction (»V«), quick-lock screw fitting

HANSA FLEX

Свойства

Работно налягане	макс. 10 bar
Температурен диапазон	0 °C to +70 °C
кух болт, накланящо се рамо, регулиращ болт	Nickel-plated brass
вътрешни части	Brass with a bare metal surface
маншетен уплътнител кръгло уплътнение	NBR
уплътнения (които не се губят)	Polyamide (glass fibre-reinforced)



Указание

Други данни при запитване.

Описание

For fine regulation of a cylinder piston speed in the forward and return motion and precise control of flow rates. Designed as a banjo-type valve with a hollow bolt and ring piece. Can be screwed directly onto the valve or cylinder. Compact type of construction, also ideal where space is restricted. On the version with a knurled screw, the set volumetric flow rate can be locked with the hexagon nut to obtain a fixed setting.

Артикул

Обозначение	C (mm)	за маркуч	Резба	SW	B (mm)
K- 07 15 05 10	18,0	4 mm / 2,5 mm	M 5	8 mm	38,9
K- 07 15 05 11	19,0	5 mm / 3 mm	M 5	8 mm	38,9
K- 07 15 05 12	19,0	6 mm / 4 mm	M 5	8 mm	38,9
K- 07 15 05 18	23,0	5 mm / 3 mm	G 1/8	14 mm	42,4
K- 07 15 05 19	25,0	6 mm / 4 mm	G 1/8	14 mm	42,4
K- 07 15 05 20	25,0	8 mm / 6 mm	G 1/8	14 mm	42,4
K- 07 15 05 15	26,5	6 mm / 4 mm	G 1/4	17 mm	51,4
K- 07 15 05 16	27,5	8 mm / 6 mm	G 1/4	17 mm	51,4
K- 07 15 05 14	28,5	10 mm / 8 mm	G 1/4	17 mm	51,4