

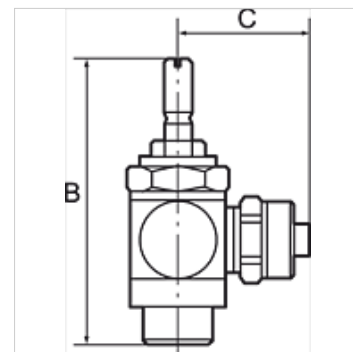
K-DRV STECK V RAENDEL

Unidirectional flow control valves, incoming air restriction (»V«), plug-in connector

HANSA FLEX

Свойства

Работно налягане	макс. 10 bar
Температурен диапазон	0 °C to +70 °C
кух болт, накланящо се рамо, регулиращ болт	Nickel-plated brass
вътрешни части	Brass with a bare metal surface
маншетен уплътнител кръгло уплътнение	NBR
уплътнения (които не се губят)	Polyamide (glass fibre-reinforced)



Указание

Други данни при запитване.

Описание

For fine regulation of a cylinder piston speed in the forward and return motion and precise control of flow rates. Designed as a banjo-type valve with a hollow bolt and ring piece. Can be screwed directly onto the valve or cylinder. Compact type of construction, also ideal where space is restricted. On the version with a knurled screw, the set volumetric flow rate can be locked with the hexagon nut to obtain a fixed setting.

Артикул

Обозначение	C (mm)	за маркуч	Резба	SW	B (mm)
K- 07 15 05 21	18,6	4 mm	M 5	8 mm	38,9
K- 07 15 05 22	21,7	6 mm	M 5	8 mm	38,9
K- 07 15 05 26	20,6	4 mm	G 1/8	14 mm	42,4
K- 07 15 05 27	22,7	6 mm	G 1/8	14 mm	42,4
K- 07 15 04 73	23,7	8 mm	G 1/8	14 mm	42,4
K- 07 15 05 24	24,2	6 mm	G 1/4	17 mm	51,4
K- 07 15 05 25	24,7	8 mm	G 1/4	17 mm	51,4
K- 07 15 05 23	26,8	10 mm	G 1/4	17 mm	51,4