

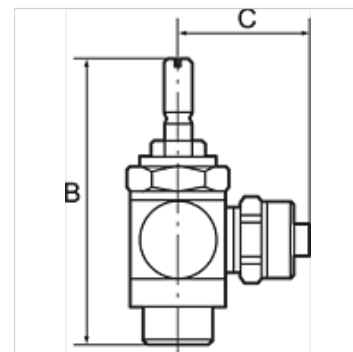
# K-DV STECK B RAENDEL

Bidirectional flow control valves, air restriction at both ends («B»), plug-in connector

**HANSA FLEX**

## Свойства

Работно налягане	макс. 10 bar
Температурен диапазон	0 °C to +70 °C
кух болт, накланящо се рамо, регулиращ болт	Nickel-plated brass
вътрешни части	Brass with a bare metal surface
маншетен уплътнител кръгло уплътнение	NBR
уплътнения (които не се губят)	Polyamide (glass fibre-reinforced)



## Указание

Други данни при запитване.

## Описание

For regulation of a cylinder piston speed at both ends and control of flow rates. Designed as a banjo-type valve with a hollow bolt and ring piece for mounting directly. <br>On the version with a knurled screw, the set volumetric flow rate can be locked with the hexagon nut to obtain a fixed setting.

## Артикул

Обозначение	C (mm)	за маркуч	Резба	SW	B (mm)
K- 07 15 04 83	18,6	4 mm	M 5	8 mm	38,9
K- 07 15 04 87	20,6	4 mm	G 1/8	14 mm	42,0
K- 07 15 04 88	22,7	6 mm	G 1/8	14 mm	42,0
K- 07 15 04 89	23,7	8 mm	G 1/8	14 mm	42,0
K- 07 15 04 85	24,2	6 mm	G 1/4	17 mm	51,0
K- 07 15 04 86	24,7	8 mm	G 1/4	17 mm	51,0
K- 07 15 04 84	26,8	10 mm	G 1/4	17 mm	51,0