

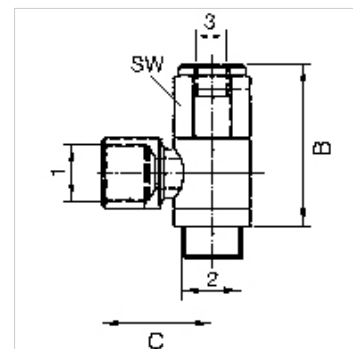
K-HS RD

Unidirectional banjo valves, pneumatic release, port 2 with female thread

HANSA FLEX

Свойства

работно налягане	0.3 - 10 bar
налягане на управление	0.5 - 2.5 bar, depending on operating pressure
температура на средата	max. 60 °C
Монтажно положение	Any. The ring piece must be positioned before the valve is tightened
Материал	месинг никелиран
уплътняващ материал	Perbunan



Указание

Други данни при запитване.

Описание

For stopping and positioning the cylinder movement: If a control signal is present at port 3 (see drawing), air can flow to and from the cylinder. If no control signal is present, the cylinder exhaust air is shut off by the unidirectional valve. The cylinder is stopped. Releasable unidirectional valves are screwed directly onto the cylinder instead of the normal pipe connections.

Артикул

Обозначение	Port 1	Port 2	Съединение 3	B (mm)	C (mm)
K- 07 15 07 04	G 1/8	G 1/8	M 5	38,0	21,5
K- 07 15 07 03	G 1/4	G 1/4	G 1/8	43,0	25,4
K- 07 15 07 05	G 3/8	G 3/8	G 1/8	46,0	31,6
K- 07 15 07 02	G 1/2	G 1/2	G 1/8	52,0	32,0