

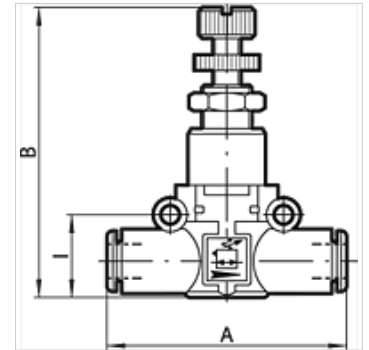
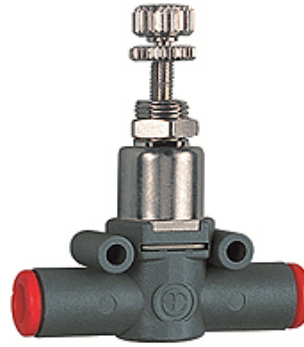
# K-DRG SCHL SCHL

Pressure regulators, pipe - pipe

**HANSA FLEX**

## Свойства

Работно налягане	2 - 10 bar
протичане 6,3bar	400 NI/min (Ø 6 and G 1/8), 600 NI/min (Ø 8 and G 1/4)
Температурен диапазон	-20 °C to +60 °C
корпус	Technopolymer
вътрешни части	nickel-plated brass, brass, technopolymer, stainless steel
уплътняващ материал	NBR
Монтаж	Wall mounting (housing with drilled holes) Bracket mounting (mounting bracket available) Panel mounting (with bracket or lock nut)
символ	on the housing



## Указание

Други данни при запитване.

## Описание

A carefully selected assortment of products for installation in pneumatic circuits. These small, highly efficient components allow all pneumatic functions to be implemented anywhere in the circuit. The series has an ultramodular design. All components can be installed in parallel, in series, in a mixed parallel / serial configuration. Available as Pipe / pipe connection with two plug connectors Thread / pipe connection, with one plug connector and one nickel-plated brass thread.

## Артикул

Обозначение	за Ø на маркуч (mm)	диапазон на регулиране	A (mm)	B (mm)	I (mm)
K- 07 25 03 10	6	1 - 8 bar	49,4	52,0	14,6
K- 07 25 03 11	8	1 - 8 bar	57,3	58,0	18,7