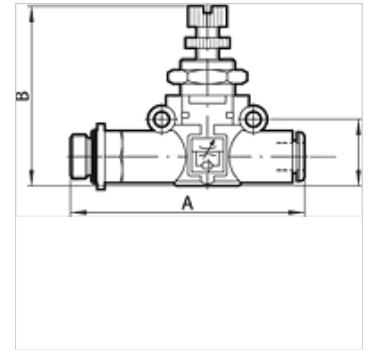
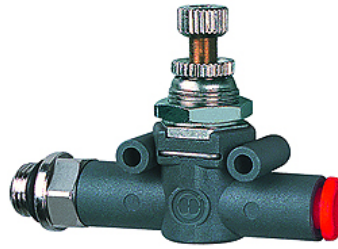


K-DUFR E SCHL GEW

Flow regulators, flow at one end (valve assembly), pipe - thread

HANSA FLEX

| Свойства | |
|------------------------------|--|
| Работно налягане | макс. 10 bar |
| протичане 6,3bar | 155 l/min (Ø 4), 450 l/min (Ø 6), 850 l/min (Ø 8) |
| прот. обезвъздушаване 6,3bar | 160 l/min (Ø 4), 550 l/min (Ø 6), 950 l/min (Ø 8) |
| настройка | Manual or screwdriver |
| Температурен диапазон | -20 °C to +60 °C |
| корпус | Technopolymer |
| вътрешни части | nickel-plated brass, brass, \ntechnopolymer, stainless steel |
| уплътняващ материал | NBR |
| Монтаж | Wall mounting (housing with drilled holes) Bracket mounting (mounting bracket available) Panel mounting (with bracket or lock nut) |
| символ | on the housing |



Указание

Други данни при запитване.

Описание

A carefully selected assortment of products for installation in pneumatic circuits. These small, highly efficient components allow all pneumatic functions to be implemented anywhere in the circuit. The series has an ultramodular design.
All components can be installed In parallel, In series, In a mixed parallel / serial configuration. Available as Pipe / pipe connection with two plug connectors Thread / pipe connection, with one plug connector and one nickel-plated brass thread.

Артикул

| Обозначение | Резба | за Ø на маркуч (mm) | A (mm) | B (mm) | I (mm) |
|----------------|-------|---------------------|--------|--------|--------|
| K- 07 15 05 92 | M 5 | 4 | 47,7 | 35,0 | 12,7 |
| K- 07 15 05 95 | G 1/8 | 4 | 51,6 | 35,0 | 12,7 |
| K- 07 15 05 96 | G 1/8 | 6 | 58,5 | 40,0 | 14,6 |
| K- 07 15 05 97 | G 1/8 | 8 | 61,5 | 40,0 | 14,6 |
| K- 07 15 05 93 | G 1/4 | 6 | 66,2 | 49,0 | 18,7 |
| K- 07 15 05 94 | G 1/4 | 8 | 70,6 | 49,0 | 18,7 |
| K- 07 15 05 98 | G 3/8 | 8 | 72,2 | 49,0 | 18,7 |