

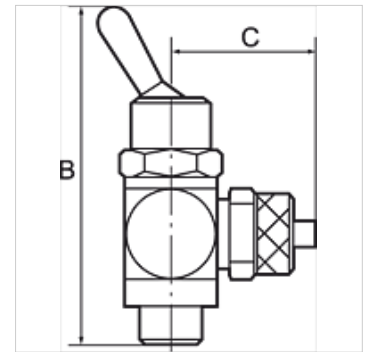
# K-WKV 3/2 SCHLS STECK

3/2-way toggle valves, discharge port on thread, plug-in connector

**HANSA FLEX**

## Свойства

Работно налягане	макс. 8 bar
Температурен диапазон	0 °C to +70 °C
резба контролен панел	M 12 x 0.75 (sheet thickness max. 4 mm)
вътрешни части	Brass with a bare metal surface
уплътняващ материал	NBR
кух болт, накланящо се рамо, прибиращ се лост	Nickel-plated brass
уплътнения (които не се губят)	Polyamide (glass fibre-reinforced)



## Указание

Други данни при запитване.

## Описание

Manually operated toggle valves, 2/2 and 3/2-way types. For all applications where compressed air must be switched on or off quickly and easily or a cylinder operated manually. Designed as a banjo-type valve with a hollow bolt and ring piece. Suitable for screwing directly into the equipment or for panel mounting. Compact type of construction, also ideal where space is restricted.

## Артикул

Обозначение	Изпълнение	C (mm)	за маркуч	Резба	SW	B (mm)
K- 07 15 07 31	3/2-way	19,5	4 mm	G 1/8	14 mm	55,0
K- 07 15 07 32	3/2-way	22,0	6 mm	G 1/8	14 mm	55,0
K- 07 15 07 33	3/2-way	22,5	8 mm	G 1/8	14 mm	55,0
K- 07 15 07 29	3/2-way	23,5	6 mm	G 1/4	17 mm	60,0
K- 07 15 07 30	3/2-way	24,0	8 mm	G 1/4	17 mm	60,0
K- 07 15 07 28	3/2-way	26,5	10 mm	G 1/4	17 mm	60,0