

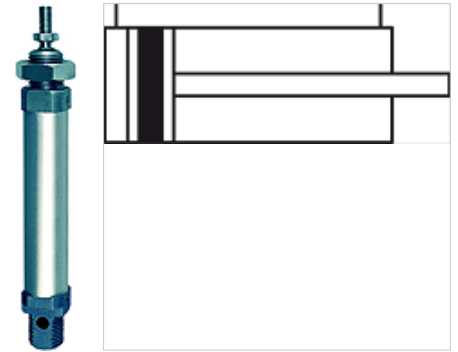
# K-RUNDZYLINDER DOPP O D

Miniature cylinders, double acting (magnetic, non-cushioned)

**HANSA FLEX**

## Свойства

Течности	Filtered, unlubricated or lubricated compressed air. If lubrication is used, it must be continuous.
работно налягане	Max. 10 bar
налягане на задействане	0,8 bar (Ø 8 bis Ø 12), 0,6 bar (Ø 16 bis Ø 25)
Температурен диапазон	-10 °C to +80 °C
конструкция	Flanged joint between stainless steel barrel and heads
бутална щанга	C45 steel, hard chrome-plated
тръба	Stainless steel 1.4301
бутало	Synthetic (acetal) resin
уплътняващ материал	NBR



## Указание

Maximum recommended stroke: Double-acting: Ø 8 - Ø 10 = 100 stroke, Ø 12 - Ø 16 = 200 stroke, Ø 20 - Ø 25 = 250 stroke

Single-acting: Ø 8 - Ø 25 = 50 stroke. Longer stroke lengths can cause operational malfunctions.

Други данни при запитване.

## Описание

Single and double-acting cylinders, with magnetic piston.

## Допълнителна информация

Important: The scope of supply does not include a connector. Please order separately.

## Артикул

Обозначение	Ø бутало	Такт (mm)	Съединение	реза бутална щанга
K- 07 15 16 67	8 mm	10	M 5	M 4
K- 07 15 16 68	8 mm	25	M 5	M 4
K- 07 15 16 69	8 mm	50	M 5	M 4
K- 07 15 16 70	8 mm	80	M 5	M 4
K- 07 15 16 71	8 mm	100	M 5	M 4
K- 07 15 16 72	10 mm	10	M 5	M 4
K- 07 15 16 73	10 mm	25	M 5	M 4
K- 07 15 16 74	10 mm	50	M 5	M 4
K- 07 15 16 75	10 mm	80	M 5	M 4
K- 07 15 16 76	10 mm	100	M 5	M 4
K- 07 15 16 77	12 mm	10	M 5	M 6
K- 07 15 16 78	12 mm	25	M 5	M 6
K- 07 15 16 79	12 mm	50	M 5	M 6
K- 07 15 16 80	12 mm	80	M 5	M 6
K- 07 15 16 81	12 mm	100	M 5	M 6
K- 07 15 16 82	12 mm	125	M 5	M 6
K- 07 15 16 83	12 mm	160	M 5	M 6
K- 07 15 16 84	12 mm	200	M 5	M 6
K- 07 15 16 85	16 mm	10	M 5	M 6
K- 07 15 16 86	16 mm	25	M 5	M 6
K- 07 15 16 87	16 mm	50	M 5	M 6
K- 07 15 16 88	16 mm	80	M 5	M 6
K- 07 15 16 89	16 mm	100	M 5	M 6
K- 07 15 16 90	16 mm	125	M 5	M 6
K- 07 15 16 91	16 mm	160	M 5	M 6
K- 07 15 16 92	16 mm	200	M 5	M 6
K- 07 15 16 93	20 mm	10	G 1/8	M 8
K- 07 15 16 94	20 mm	25	G 1/8	M 8
K- 07 15 16 95	20 mm	50	G 1/8	M 8
K- 07 15 16 96	20 mm	80	G 1/8	M 8
K- 07 15 16 97	20 mm	100	G 1/8	M 8
K- 07 15 16 98	20 mm	125	G 1/8	M 8
K- 07 15 16 99	20 mm	160	G 1/8	M 8



Въпреки най-старателната проверка не са изключени грешки и ние не поемаме гаранция за съдържащите се данни.

28.12.2024

HANSA-FLEX AG

www.hansa-flex.com

1

# K-RUNDZYLINDER DOPP O D

Miniature cylinders, double acting (magnetic, non-cushioned)

**HANSA FLEX**

## Артикул

Обозначение	Ø бутало	Такт (mm)	Съединение	резба бутална щанга
K- 07 15 17 00	20 mm	200	G 1/8	M 8
K- 07 15 17 01	20 mm	250	G 1/8	M 8
K- 07 15 17 02	25 mm	10	G 1/8	M 10 x 1.25
K- 07 15 17 03	25 mm	25	G 1/8	M 10 x 1.25
K- 07 15 17 04	25 mm	50	G 1/8	M 10 x 1.25
K- 07 15 17 05	25 mm	80	G 1/8	M 10 x 1.25
K- 07 15 17 06	25 mm	100	G 1/8	M 10 x 1.25
K- 07 15 17 07	25 mm	125	G 1/8	M 10 x 1.25
K- 07 15 17 08	25 mm	160	G 1/8	M 10 x 1.25
K- 07 15 17 09	25 mm	200	G 1/8	M 10 x 1.25
K- 07 15 17 10	25 mm	250	G 1/8	M 10 x 1.25

## Принадлежности

K-FUSSBEFESTIGUNG 5	Foot model
K-FLANSCHBEFESTIGUNGEN1	Flange model
K-KOPFMUTTER DECKEL BODEN 2	Hexagon nut (for head)
K-GABELKOEPFEN 3	Fork model
K-GELENKAUGEN 2	Rod eye model
K-SCHWENKLAGER 1	Counter-hinge model
K-SENSORHALTER	Sensor support (with T-slot adapter)
K-SENSOREN T-NUT 1	Sensor for T-slot