

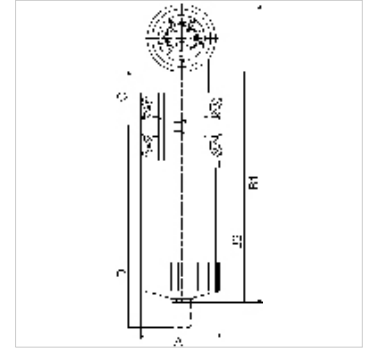
# K-FI AK KOH O DIFFERENZ MANO

Activated carbon filters without differential pressure gauge

**HANSA FLEX**

## Свойства

|  |  |
|--|--|
| входящо налягане                                       | Min. 4 bar, Max. 16 bar                            |
| диапазон на индикация манометър диференциално налягане | 0 - 2 bar  |
| корпус, резервоар с филтър                             | Aluminium  |
| околна температура                                     | +5 °C to +60 °C                                    |
| филтърна вложка  | Activated carbon                                   |
| остатъчно съдържание на масло                          | 0.005 mg/m <sup>3</sup>                            |
| измерване на стойността на протичане                   | At P1 = 6 bar and pressure drop $\Delta p = 0.5\%$ |



## Указание

Други данни при запитване.

## Описание

Suitable for all applications where the standard centrifugal separators do not afford the desired efficiency. The pre-filters and micro-filters are equipped with an automatic drain valve. All devices can be supplied with or without a differential pressure gauge. The differential pressure gauge indicates the degree of contamination of the filter element as a function of the pressure drop.

## Артикул

| Обозначение    | Резба   | протичане (L/min) | A (mm) | B2 (mm) | C (mm) | D (mm) |
|----------------|---------|-------------------|--------|---------|--------|--------|
| K- 07 25 13 26 | G 1/4   | 500               | 82,5   | 248,0   | 57,0   | 263,0  |
| K- 07 25 13 27 | G 3/8   | 500               | 82,5   | 248,0   | 57,0   | 263,0  |
| K- 07 25 13 28 | G 1/2   | 500               | 82,5   | 248,0   | 57,0   | 263,0  |
| K- 07 25 13 29 | G 3/4   | 1000              | 82,5   | 318,0   | 57,0   | 403,0  |
| K- 07 25 13 30 | G 1     | 1500              | 118,0  | 333,0   | 72,0   | 368,0  |
| K- 07 25 13 31 | G 1 1/4 | 2650              | 118,0  | 433,0   | 72,0   | 568,0  |
| K- 07 25 13 32 | G 1 1/2 | 4150              | 118,0  | 533,0   | 72,0   | 768,0  |
| K- 07 25 13 33 | G 2     | 6650              | 118,0  | 723,0   | 72,0   | 1148,0 |

## Резервни части

|                            |                       |
|----------------------------|-----------------------|
| K-FILTERELEMENT SONDER     | Filter element        |
| K-VERBINDUNGSELEMENTE SOND | Connecting sets       |
| K-HALTERBAUSATZ            | Holder                |
| K-AUTOMAT ABLASSVENTIL     | Automatic drain valve |