

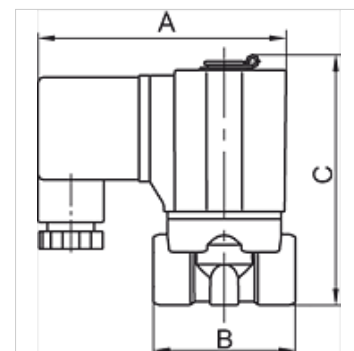
K-MV O (NO) D 24 V DC STA

Normally open, (NO), directly operated, 24 V DC, standard type

HANSA FLEX

Свойства

електрическо съединение	device socket type A in acc. with ISO 4400 for all valves with threads G 3/8 & G 1/2, except valves type 3 & 4. Device socket
вид защита	IP 65
температура на средата	max. 80 °C when using water or oils; max. 90 °C when using with air
резба описание	G thread acc. DIN EN ISO 228-1
корпус, гнездо на клапан	Brass
вътрешни части	Stainless steel
уплътнение	FPM



Указание

Други данни при запитване.

Описание

Standard series in two different versions: Directly operated, Pilot-operated. For all applications with compressed air, neutral gases or low-viscosity, neutral media.

Артикул

Обозначение	Резба	макс. работно налягане (bar)	NW	A (mm)	B (mm)	C (mm)	модификация
K- 07 30 01 86	G 1/8	7	3,0	70,0	40,0	76,0	2
K- 07 30 01 87	G 1/4	7	3,0	70,0	40,0	76,0	2
K- 07 30 01 88	G 3/8	7	5,0	85,0	52,0	92,0	2
K- 07 30 01 89	G 1/2	7	5,0	85,0	52,0	92,0	2