

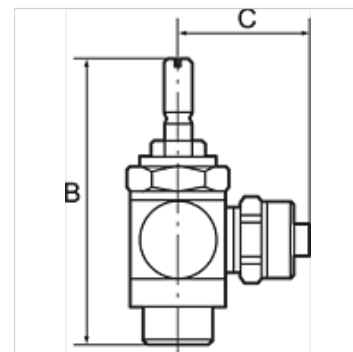
K-DRV ABLD GEW C RAENDEL

Unidirectional flow control valves, outgoing air restriction (»C«), screw connection

HANSA FLEX

Свойства

| | |
|---|------------------------------------|
| Работно налягане | макс. 10 bar |
| Температурен диапазон | 0 °C to +70 °C |
| кух болт, наклонящо се рамо, регулиращ болт | Nickel-plated brass |
| вътрешни части | Brass with a bare metal surface |
| маншетен уплътнител кръгло уплътнение | NBR |
| уплътнения (които не се губят) | Polyamide (glass fibre-reinforced) |



Указание

Други данни при запитване.

Описание

For fine regulation of a cylinder piston speed and precise control of flow rates. Designed as a banjo-type valve with a hollow bolt and ring piece.

Can be screwed directly onto the valve or cylinder. Compact type of construction, also ideal where space is restricted. On the version with a knurled screw, the set volumetric flow rate can be locked with the hexagon nut to obtain a fixed setting.

Артикул

| Обозначение | Съединение | C (mm) | Резба | SW | B (mm) |
|----------------|---------------------|-----------|-------|-------|-----------|
| K- 07 15 04 57 | M 5 female thread | 11,5 | M 5 | 8 mm | 38,9 |
| K- 07 15 04 62 | G 1/8 female thread | 16,0 | G 1/8 | 14 mm | 42,0 |
| K- 07 15 04 58 | G 1/4 female thread | 22,0 | G 1/4 | 17 mm | 51,0 |
| K- 07 15 25 14 | G 1/2 female thread | 32,0 | G 1/2 | 26 mm | 81,0 |
| K- 07 15 25 15 | G 3/8 female thread | 26,0 | G 3/8 | 20 mm | 63,0 |