

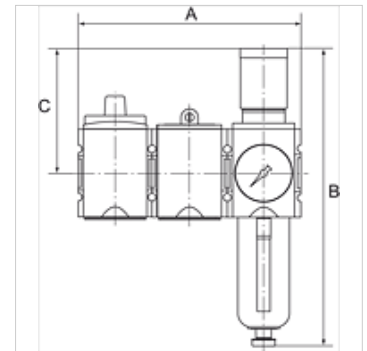
K-WTST SAFETY BK SCHA AN FILR HANSA

SAFETY service unit sets, comprising a ball valve with silencer, start-up valve and filter regulator

HANSA FLEX

Свойства

входящо налягане	2.5 - 16 bar
изходящо налягане	0.5 - 8 bar
Температурен диапазон	-10 °C to +50 °C
Течности	въздух под налягане
уплътняващ материал	NBR
присъединителна резба	Material: Die-cast zinc
резервоар	Polycarbonate (with bayonet lock) and bowl guard
филтриращ елемент	Cellpor (PE) 5 µm
корпус	Material: Grivory® (PA 66)
мембрана	NBR
разход на собствен въздух	Max. 1.5 l/min (depending on secondary pressure)
измерване на стойността на протичане	At P1 = 10 bar, P2 = 6.3 bar and pressure drop $\Delta p = 1$ bar
съед. обезв. сферичен кран	Silencer



Указание

Други данни при запитване.

Описание

These compressed air service unit sets, comprising a ball valve with silencer, a start-up valve and one out of a pressure regulator, filter regulator or service unit, meet even the strictest requirements for operating reliability and accident prevention!

Указания за поръчка

The price does not include a key lock and padlock. Please order separately. For accessories and spare parts, refer to individual components: ball valve, start-up valve, pressure regulator, filter regulator, 2-piece service unit

Артикул

Обозначение	Резба	протичане (L/min)	A (mm)	B	C (mm)	изпускане на кондензат
K- 07 25 15 26	G 1/4	2000	156,0	225,0 mm	95,5	Semi
K- 07 25 15 27	G 3/8	2000	156,0	225,0 mm	95,5	Semi
K- 07 25 15 28	G 3/8	4300	189,0	257,0 mm	110,0	Semi
K- 07 25 15 29	G 1/2	4300	189,0	257,0 mm	110,0	Semi
K- 07 25 15 30	G 3/4	10000	255,0	329,0 mm	137,0	Semi
K- 07 25 15 31	G 1	10000	255,0	329,0 mm	137,0	Semi
K- 07 25 15 32	G 1/4	2000	156,0	243,0 mm	95,5	Auto
K- 07 25 15 33	G 3/8	2000	156,0	243,0 mm	95,5	Auto
K- 07 25 15 34	G 3/8	4300	189,0	274,0 mm	110,0	Auto
K- 07 25 15 35	G 1/2	4300	189,0	274,0 mm	110,0	Auto
K- 07 25 15 36	G 3/4	10000	255,0	343,0 mm	137,0	Auto
K- 07 25 15 37	G 1	10000	255,0	343,0 mm	137,0	Auto

Принадлежности

K-STECKSCHLOSS	Key lock
K-VORHAENGESCHLOSS	Padlock