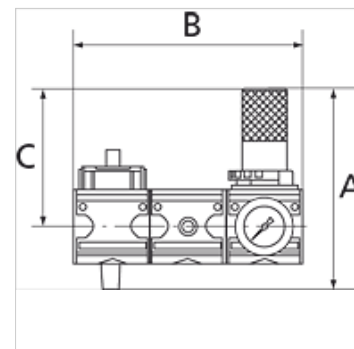
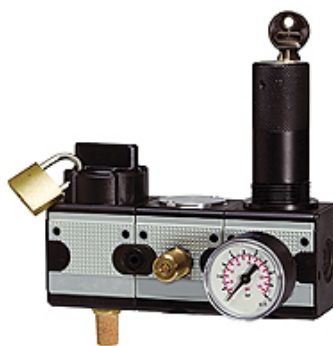


# K-WTST SAFETY BKR SCHA AN DR MULTI

SAFETY service unit sets, comprising a ball valve with silencer, start-up valve and pressure regulator with lock cylinder

**HANSA FLEX**

Свойства	
входящо налягане	2 - 16 bar
изходящо налягане	0.5 - 10 bar
Температурен диапазон	Max. 60 °C
Течности	въздух под налягане
уплътняващ материал	NBR
резервоар	Polycarbonate (with bayonet lock) and bowl guard
пружинен калпак	POM
филтриращ елемент	Cellpor (PE) 5 µm
корпус	Die-cast zinc
мембрана	NBR
Drain valve	Semi-automatic
измерване на стойността на протичане	At P1 = 8 bar, P2 = 6 bar and pressure drop $\Delta p = 1$ bar
Други данни	see data sheets of the individual components (on request)
съед. обезв. сферичен кран	Silencer



## Описание

These compressed air service unit sets, comprising a ball valve with silencer, a start-up valve and one out of a pressure regulator, filter regulator or service unit, meet even the strictest requirements for operating reliability and accident prevention!

## Указания за поръчка

The price does not include a padlock. Please order separately. For accessories and spare parts, refer to individual components: ball valve, start-up valve, pressure regulator, filter regulator, 2-piece service unit.

## Артикул

Обозначение	Резба	диапазон на регулиране	протичане (L/min)	A (mm)	B	C (mm)
K- 07 25 15 11	G 1/4	2 - 10 bar	1000	128,0	137,8 mm	94,0
K- 07 25 15 12	G 1/2	2 - 10 bar	4000	189,0	200,8 mm	122,0
K- 07 25 15 13	G 1	2 - 10 bar	12000	241,7	282,8 mm	157,0