

# K-SCHALLDAE SINTERBR SK

Silencers, sintered bronze, with hexagon nut

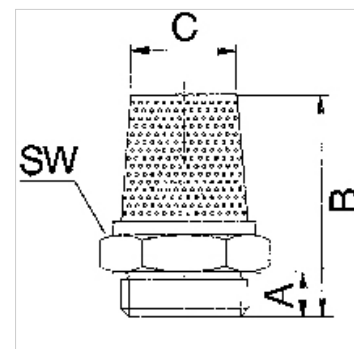
**HANSA FLEX**

## Свойства

Работно налягане 0 - 8 bar

работна температура -10 °C to +250 °C

ниво на шума бвар 71 ~ 108 dB(A)



## Указание

Други данни при запитване.

## Описание

For reducing the exhaust noise generated by pneumatic equipment.

## Артикул

| Обозначение    | Резба | A<br>(mm) | B<br>(mm) | C<br>(mm) | SW    |
|----------------|-------|-----------|-----------|-----------|-------|
| K- 07 40 34 77 | G 1/8 | 6,0       | 28,0      | 8,0       | 13 mm |
| K- 07 40 34 78 | G 1/4 | 8,0       | 34,0      | 12,0      | 17 mm |
| K- 07 40 34 79 | G 3/8 | 10,0      | 36,0      | 15,0      | 22 mm |
| K- 07 40 34 80 | G 1/2 | 12,0      | 44,0      | 19,0      | 27 mm |
| K- 07 40 34 81 | G 3/4 | 14,0      | 54,0      | 22,0      | 32 mm |
| K- 07 40 34 82 | G 1   | 16,0      | 66,0      | 28,0      | 41 mm |